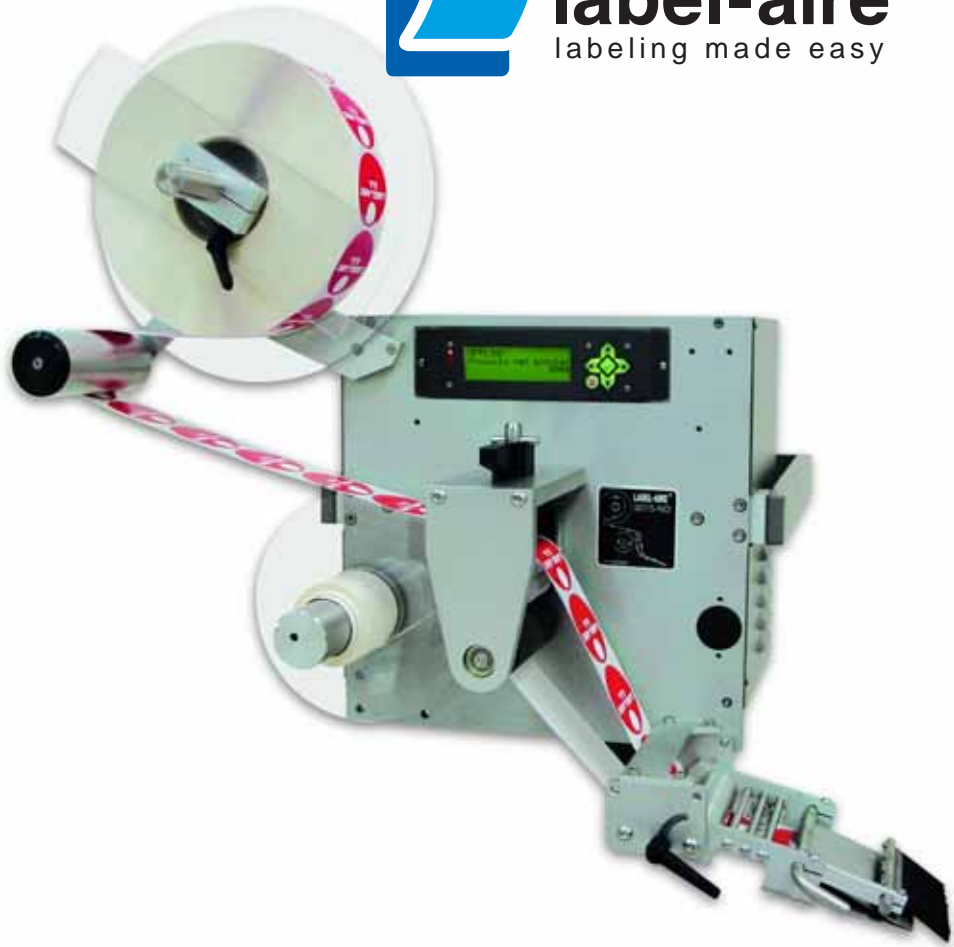


Model 3015-ND



## 3015-ND Wipe-On

Primary Applicator

The Label-Aire® Model 3015-ND Wipe-On Primary Applicator is an affordable wipe-on labeler that's easy to use and even easier on your bottom line.

The Model 3015-ND Wipe-On labeler delivers on its promise of speed, accuracy, ease of use, and affordability. The results are lower operating costs and increased productivity for your business.

The Label-Aire Model 3015-ND was designed for simple wipe-on labeling applications in all markets (available in either 220 Volts, 50 Hz or 115 Volts, 60 Hz configurations). Underneath the 3015-ND is an advanced labeler that comes with many standard features making it an exceptional value. Not only can the 3015-ND be easily converted to left- or right-hand use, it can also apply labels to the top, side, or bottom of products at a dispense speed of up to 1,000" (25 m) of web per minute with a label dispense accuracy of up to +/- 1/32" (.8 mm).

Put this affordable wipe-on pressure-sensitive technology to work for you all day, every day. Like every machine we make, the Model 3015-ND Wipe-On is built to Label-Aire's meticulous quality standards.

QLC, Inc. (800) 837-1309



# 3015-ND Wipe-On Specifications

## Dimensions:

Height: 26.22" (670 mm)  
 Length: 27.66" (700 mm)  
 Width: 13.9" (350 mm)

## Weight:

80 lbs. (36.3 kg)

## Standard Label Dimensions:

Max. Web Width: 4" (101.6 mm)  
 standard, 6" (152.4 mm) optional  
 Min. Web Width: 1" (25.4 mm)  
 Min. Label Length: .0375" (9.5 mm)  
 Max. Label Length: 20" (508 mm)

## Label Packaging:

12" (305 mm) O.D. rolls std. on  
 3" (76 mm) I.D. cores

## Dispense Speed:

Up to 1,000" (25 m) of web per minute

## Label Dispense Accuracy:

Up to +/- 1/32" (.8 mm)

## Electrical:

115 Volts AC 60 Hz 2.5 Amps. or  
 220 Volts AC 50 Hz 5 Amps.

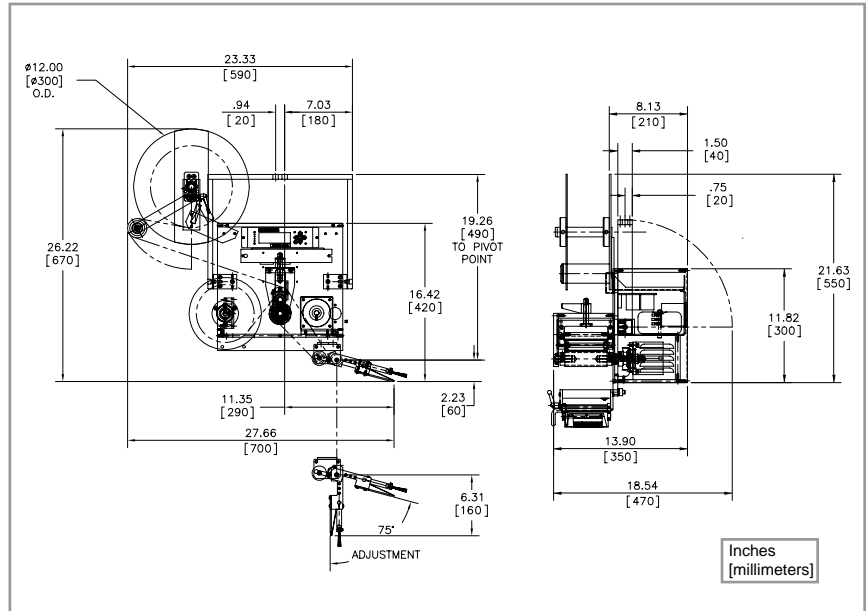
## Air (as needed):

2 cfm at 60 psi to 90 psi when imprinter  
 is used

## Options:

6" (152 mm) label core adapter  
 Encoder kit for Automatic Speed Following  
 3-color light Stack for "Ready", "Warning",  
 and "Fault"  
 Clear label sensor upgrade

**Consult factory for additional options.**



Stated dimensions are approximations. Please consult factory if dimensions are required for line integration.

## 3015-ND Wipe-On Advanced Features

<b>User-friendly control panel</b>	Multi-functional and easy to use to reduce set up time.
<b>Stepper motor drive</b>	For precise starting / stopping, increased reliability, wider range speed variability, and lower maintenance.
<b>Microprocessor controlled</b>	Repeatable settings and constant monitoring ensures reliable operation.
<b>Automatic Speed Following (ASF)</b>	Labels are accurately applied even through extreme changes in product line speed.
<b>4" or 6" (101.6 mm or 152.4 mm) configuration</b>	To handle a wide range of label sizes.
<b>Added versatility</b>	Applies labels to the top, side, or bottom of products.
<b>Wipe-on applicator</b>	Label dispense accuracy up to ± 1/32" (.8 mm).
<b>Configuration</b>	Easy conversion to left- or right-hand use.

# QLC, Inc.

537 Progress Drive  
 Hartland, WI 53029  
[www.qlc-labeling.com](http://www.qlc-labeling.com)

**(800) 837-1309**

