

the team to trust ■ ■ ■

spare parts catalogue ■ ■ ■

SmartDate X60

Mono - Colour user Interface



User Documentation Department

Revision AC



10058725

www.markem-imaje.com

Markem-Imaje Industries Ltd.
Alexander Fleming Building
Nottingham Science Park
University Boulevard
Nottingham NG7 2QN
Tel.: +44 (0)115 943 0155



markem·imaje

A DOVER COMPANY



markem·imaje

A DOVER COMPANY

for parts & service call QLC (800) 837-1309

General 9

- Recycling 11
- Safety Instructions 11
- How to use this catalogue 12
 - How to order 12
 - How to recognize your type of printer: 12

Documentation 13

- Documentation 15
 - CD-ROM 15
 - Catalogue 15
 - Instruction manual Monochrome User Interface 16
 - Instruction manual Color User Interface 17
 - User manual Monochrome User Interface 18
 - User manual Color User Interface 18

Consumables and Spares 19

- SmartDate X60 53mm Consumables 21
- SmartDate X60 53mm Recommended Spares 21
- Hardware Kits 22
- SmartDate X60 128mm recommended spares 22
- Recommended Cable Spares 23
- Recommended Communication Cable Spares 24
- Recommended Power Cable Spares 24

for parts & service call QLC (800) 837-1309

Contents

Mono / Colour Controller Components	25
■ Mono Controller	27
■ Mono Front Panel & Controller Top Cover	28
■ PCB, Power Supply Unit & Power Entry	29
■ Colour Controller	30
■ Front Panel Assembly & PCB	31
■ Controller PCB, Power Supply & Power Entry	32
SmartDate X60 - Printers	33
■ Non Shuttled Printer and Cassette (left hand)	35
■ Non Shuttled Printer and Cassette (right hand)	36
■ Shuttled Printer and Cassette (left hand)	37
■ Shuttled Printer and Cassette (right hand)	38

for parts & service call QLC (800) 837-1309

Non Shuttle Printer Components 39

■ Printhead Assembly	41
■ Print Module Assembly	42
■ Peel Roller, Mounting Assembly & Carriage	43
■ Interconnect Board Assembly	44
■ Latch Shaft & Mounting Bracket Assembly	45
■ Ribbon Controller & Movement Sensor.	46
■ Stepper Motors	47
■ Pneumatics & Printer PCB	48

Shuttle Printer Components 49

■ 53mm Printhead Assembly	51
■ Print Module Assembly	52
■ Shuttle Guard	53
■ Transition PCB Assembly	54
■ Peel Roller-Print Module Mounting & Carriage	55
■ Latch Shaft & Mounting Bracket Assembly	56
■ Ribbon Controller & Movement Sensor.	57
■ Stepper Motors.	58
■ Pneumatics & Printer PCB.	59
■ Encoder Cable & Interconnect PCB	60

for parts & service call QLC (800) 837-1309

Contents

Non ShuttleCassette Components	61
■ Locating Rollers & Pins	63
■ Movement Roller & Tension Roller	64
■ Ribbon Supply & Rewind Assemblies	65
■ Latch Tube Assembly	66
Shuttle Cassette Components	67
■ Locating Rollers & Pin	69
■ Movement Roller & Tension Roller	70
■ Ribbon Supply & Rewind Assemblies	71
■ Movement Roller & Tension Roller	72
■ Shuttle Assembly	73
■ Latch Tube Assembly	74

for parts & service call QLC (800) 837-1309

128mm Printer Components 75

- 128mm Printer and Cassette Left Hand 77
- 128mm Printer and Cassette Right Hand 78
- 128mm Printhead Assembly 79
- Print Module Assembly 80
- Peel Roller, Mounting Assembly & Carriage 81
- Interconnect Board Assembly 82
- Latch Shaft & Mounting Bracket Assembly 83
- Ribbon Controller & Movement Sensor. 84
- Stepper Motors 85

128mm Cassette Components 89

- 128mm Printer Cassettes 91
- Location Shaft and Guide Rollers 92
- Ribbon Rollers and Cassette Latch 93
- Ribbon Supply and Rewind Assemblies 94
- Latch Shaft Assembly 95

for parts & service call QLC (800) 837-1309

Contents

Accessories	97
■ Platform Encoder	99
■ Air Regulator	100
■ Controller Mounting Kit	101
■ IP 65 Enclosure	102

for parts & service call QLC (800) 837-1309

General

for parts & service call QLC (800) 837-1309

General

for parts & service call QLC (800) 837-1309

■ Safety Instructions



WARNING: before using the printer, please carefully read the information concerning safety and installation in the instructions and the Safety Data Sheet (SDS) for the consumables used.

■ Recycling



The equipment described below is industrial equipment, and therefore cannot be recycled or recovered as household waste but must be processed using special methods, as shown by the opposite symbol.

The following table indicates some of the methods available for recycling machines when they reach the end of their life cycle. These methods are shown for guidance purposes only. Other more specialized processes may be used instead of those indicated.

Please do not hesitate to contact your Markem-Imaje representative for further information.

Accumulators and batteries used in the equipment must be treated using specialized methods. If the equipment is not dismantled on site, the following information must be forwarded to the service-provider responsible for this operation.

for parts & service call QLC (800) 837-1309

■ How to use this catalogue

Part exchange program

Replacement parts are available (in certain geographies) under the Markem-Imaje Part Exchange Program.

These are reconditioned parts, all worn or damaged parts have been replaced.

These parts are identified in the catalogue by a specific reference prefix ENR, e.g.:

Part number

New Part ENMXXXXX

Replacement Part ENRXXXXX

Replacement parts are available under the following conditions:

- a reconditioned part contains recycled components,
- the defective original part is returned to Markem-Imaje and becomes the property of Markem-Imaje
- the defective original part has not been modified or damaged and no component has been removed,
- proper use has been made of the defective original part and the maintenance instructions have been complied with,

■ How to order

Orders may be sent by mail, fax or telephone. Written confirmation is required in the case of telephone orders.

To order parts, contact the Markem-Imaje representative.

The following information should be shown on orders for replacement parts or accessories: part reference number, description, quantity required, required delivery date, delivery instructions, purchase order number.

■ How to recognize your type of printer:

Type	Usage
SmartDate X60 Intermittent	This version is used with intermittent motion packaging machines and prints onto the material when it is stationary
Smartdate X60 Continuous	This version is designed to print onto moving substrate

for parts & service call QLC (800) 837-1309

Documentation

for parts & service call QLC (800) 837-1309

Documentation

for parts & service call QLC (800) 837-1309

■ Documentation

■ CD-ROM

This CD-ROM includes the entire range of documentation for SmartDate X60 in PDF format, i.e. User manual, Instruction manual, Spare parts catalogue, Network manual, Instructions for accessories and dimension plans.

Part number	Description
10058724	CD-ROM - All languages

■ Catalogue

This catalogue includes all available spare parts and accessories.

Part number	Description
10058725	Catalogue - Accessories - Spare parts - English

for parts & service call QLC (800) 837-1309

Documentation

■ Instruction manual Monochrome User Interface

The Instruction Manual complies with European Directive 98/37/EC, and is translated into all EU languages, as well as into Norwegian, Croatian and Simplified Chinese.

Part number	Description
10055692	Instruction manual - Bulgarian
10055693	Instruction manual - Croatian
10055694	Instruction manual - Czech
10055695	Instruction manual - Chinese (simplified)
10055696	Instruction manual - Danish
10055697	Instruction manual - Dutch
10055698	Instruction manual - English
10055699	Instruction manual - Estonian
10055700	Instruction manual - Finnish
10055701	Instruction manual - French
10055702	Instruction manual - Greek
10055703	Instruction manual - German
10055704	Instruction manual - Hungarian
10055705	Instruction manual - Irish (Gaelic)
10055706	Instruction manual - Italian
10055707	Instruction manual - Latvian
10055708	Instruction manual - Lithuanian
10055709	Instruction manual - Maltese
10055710	Instruction manual - Norwegian
10055711	Instruction manual - Polish
10055712	Instruction manual - Portuguese
10055713	Instruction manual - Romanian
10055714	Instruction manual - Slovak
10055715	Instruction manual - Slovene
10055716	Instruction manual - Spanish
10055717	Instruction manual - Swedish

for parts & service call QLC (800) 837-1309

■ Instruction manual Color User Interface

The Instruction Manual complies with European Directive 98/37/EC, and is translated into all EU languages, as well as into Norwegian, Croatian and Simplified Chinese.

Part number	Description
10055718	Instruction manual - Bulgarian
10055719	Instruction manual - Croatian
10055720	Instruction manual - Czech
10055721	Instruction manual - Chinese (simplified)
10055722	Instruction manual - Danish
10055723	Instruction manual - Dutch
10055724	Instruction manual - English
10055725	Instruction manual - Estonian
10055726	Instruction manual - Finnish
10055727	Instruction manual - French
10055728	Instruction manual - Greek
10055729	Instruction manual - German
10055730	Instruction manual - Hungarian
10055731	Instruction manual - Irish (Gaelic)
10055732	Instruction manual - Italian
10055733	Instruction manual - Latvian
10055734	Instruction manual - Lithuanian
10055735	Instruction manual - Maltese
10055736	Instruction manual - Norwegian
10055737	Instruction manual - Polish
10055738	Instruction manual - Portuguese
10055739	Instruction manual - Romanian
10055740	Instruction manual - Slovak
10055741	Instruction manual - Slovene
10055742	Instruction manual - Spanish
10055743	Instruction manual - Swedish

for parts & service call QLC (800) 837-1309

Documentation

■ User manual Monochrome User Interface

This manual describes all user functions, technical characteristics and preventive maintenance. These manuals are available in PDF on the CD-Rom.

Part number	Description
10056247	User manual - Brazilian Portuguese
10056249	User manual - Chinese (simplified)
10056251	User manual - Dutch
10056252	User manual - English
10056254	User manual - French
10056255	User manual - German
10056258	User manual - Italian
10056263	User manual - Russian
10056264	User manual - Spanish

■ User manual Color User Interface

This manual describes all user functions, technical characteristics and preventive maintenance. These manuals are available in PDF on the CD-Rom.

Part number	Description
10056267	User manual - Brazilian Portuguese
10056269	User manual - Chinese (simplified)
10056271	User manual - Dutch
10056272	User manual - English
10056274	User manual - French
10056275	User manual - German
10056278	User manual - Italian
10056283	User manual - Russian
10056284	User manual - Spanish

for parts & service call QLC (800) 837-1309

Consumables and Spares

for parts & service call QLC (800) 837-1309

Consumables and Spares

for parts & service call QLC (800) 837-1309



markem·image

A DOVER COMPANY

SmartDate X60 53mm Consumables

Part number	Description	Quantity
35688BA	ANVIL RUBBER PAD 98mm x 98mm	1
5300618	ANVIL RUBBER PAD 120mm x 170mm	1
10057600	ANVIL RUBBER 425mm x 300mm	1
10057601	ANVIL RUBBER 1000mm x 200mm	1
5824648	CLEANING WIPES (PACK 100)	1
8000189	CLEANING WIPES (PACK 100) (USA only)	1
10042449	PRINTHEAD - 53mm WIDE (INTEGRATED FLEX)	1
ENM10055976	PRINTHEAD - 53mm WIDE (Shuttle) + PEEL ROLLER	1
ENM10056613	PRINTHEAD - 53mm WIDE (Non Shuttle) + PEEL ROLLER and ANVIL	1
5825525	PRINTHEAD -53mm WIDE (Shuttle)	1

SmartDate X60 53mm Recommended Spares Kit

Part number	Description	Quantity
ENM10056011	SMARTDATE 5.1 53mm RECOMMENDED SPARES KIT	
5825546	PEEL ROLLER ASSEMBLY	1
5630381	DRIVE BELT	1
10029512	MOVEMENT ROLLER ASSEMBLY	1
5825286	MOVEMENT ROLLER MAGNET KIT	1
10029510	LOCATING ROLLER ASSEMBLY	1
10029511	TENSION SENSOR ROLLER ASSEMBLY	1
5943525	CASSETTE LOACTION PIN	1
	BRAKE GROMMETS	1
	FUSES T5 20M HRC RoHS	1

for parts & service call QLC (800) 837-1309

Consumables and Spares

■ Hardware Kits

Part number	Description	Quantity
5825343	MONO CONTROLLER HARDWARE KIT	1
10035430	COLOR CONTROLLER HARDWARE KIT	1
10051572	PRINTER HARDWARE KIT	1
ENM10057378	BRAKE GROMMET KIT	50

SmartDate X60 -128 consumables

Part number	Description	Quantity
10051396	ANVIL RUBBER PAD 150mm x 170mm	1
10051401	ANVIL RUBBER PAD 150mm x 210mm	1
5824648	CLEANING WIPES (PACK 100)	1
8000189	CLEANING WIPES (PACK 100) (USA)	1
ENM10068332	PRINTHEAD ASSEMBLY 128mm	1

■ SmartDate X60 - 128mm recommended spares kit

Part number	Description	Quantity
ENM10056010	SMARTDATE 5.1 128mm RECOMMENDED SPARES KIT	
EN10029211	PEEL ROLLER ASSEMBLY	1
5630381	DRIVE BELT	1
ENM10047752	MOVEMENT ROLLER ASSEMBLY	1
10055301	MOVEMENT ROLLER MAGNET KIT	1
10029281	LOCATING ROLLER ASSEMBLY	1
ENM10028300	TENSION SENSOR ROLLER ASSEMBLY	1
ENM10029270	CASSETTE LOACTION PIN	1
	BRAKE GROMMETS	10
	FUSES T5 20M HRC RoHS	1

for parts & service call QLC (800) 837-1309

■ Recommended Cable Spares (plastic moulded / MET approved)

Part number	Description	Quantity
EN5686420	LOW PROFILE PRINTER POWER AND SIGNALS CABLE 1.0m 37 WAY D TYPE CONNECTOR - UL APPROVED	1
EN5686412	LOW PROFILE PRINTER POWER AND SIGNALS CABLE 3.0m 37 WAY D TYPE CONNECTOR - UL APPROVED	1
EN5686423	LOW PROFILE PRINTER POWER AND SIGNALS CABLE 10.0m 37 WAY D TYPE CONNECTOR - UL APPROVED	1
EN5686441	STANDARD PROFILE PRINTER POWER AND SIGNALS CABLE 1.0m 37 WAY D TYPE CONNECTOR - UL APPROVED	1
EN5686443	STANDARD PROFILE PRINTER POWER AND SIGNALS CABLE 3.0m 37 WAY D TYPE CONNECTOR - UL APPROVED	1
EN5686445	STANDARD PROFILE PRINTER POWER AND SIGNALS CABLE 10.0m 37 WAY D TYPE CONNECTOR - UL APPROVED	1

for parts & service call QLC (800) 837-1309

Consumables and Spares

■ Recommended Communication Cable Spares

Part number	Description	Quantity
5686405	LOCAL AREA NETWORK CABLE (LAN) ETHERNET - RJ45 CONNECTOR	1
5686406	PC CROSS OVER CABLE ETHERNET - RJ45 CONNECTOR	1
5824644	COMMUNICATION 232 CABLE ASSEMBLY 9 WAY D TYPE CONNECTOR - UL APPROVED	1
5824628	I/O CABLE ASSEMBLY	1
ENM5825211	9w D-TYPE ENCODER ADAPTOR CABLE ASSEMBLY	
ENM10001216	RS-422 ENCODER INTERFACE CABLE ASSEMBLY	
ENM10056007	15w D-TYPE ENCODER ADAPTOR CABLE ASSEMBLY	

■ Recommended Power Cable Spares

Part number	Description	Quantity
5686230	IEC320 MAINS LEAD, EUROPEAN COLOUR, 5.0m, EURO	1
5686229	IEC320 MAINS LEAD, N. AMERICA COLOUR, 5.0m UL APPROVED	1
A41522	IEC320 IEC320 MAINS LEAD, ARGENTINA COLOUR, 5.0m,	1

for parts & service call QLC (800) 837-1309

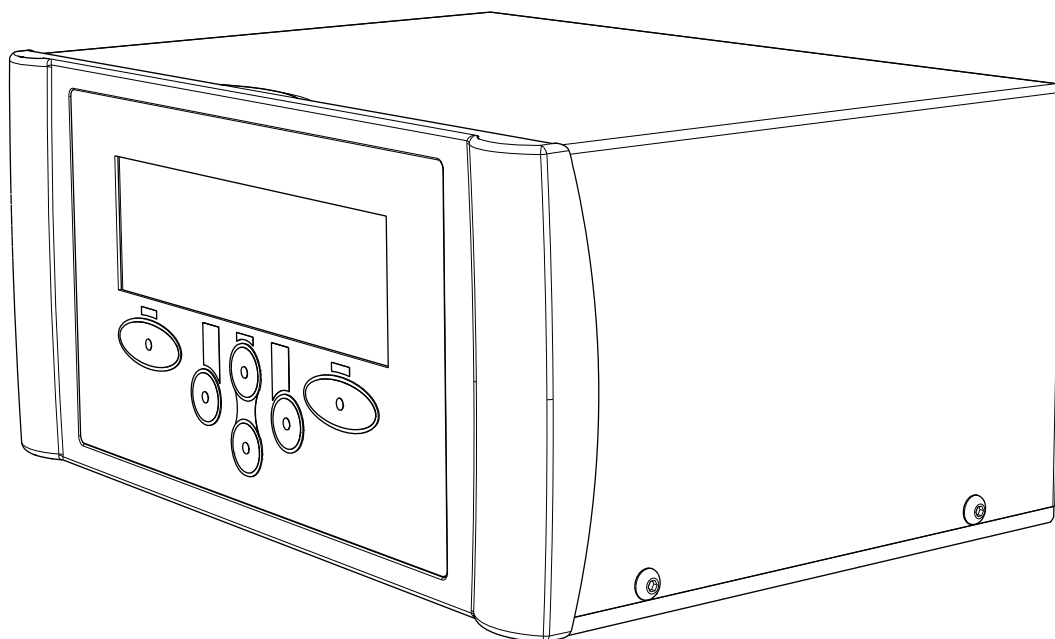
Mono / Colour Controller Components

for parts & service call QLC (800) 837-1309

Controller Components

for parts & service call QLC (800) 837-1309

■ Mono Controller

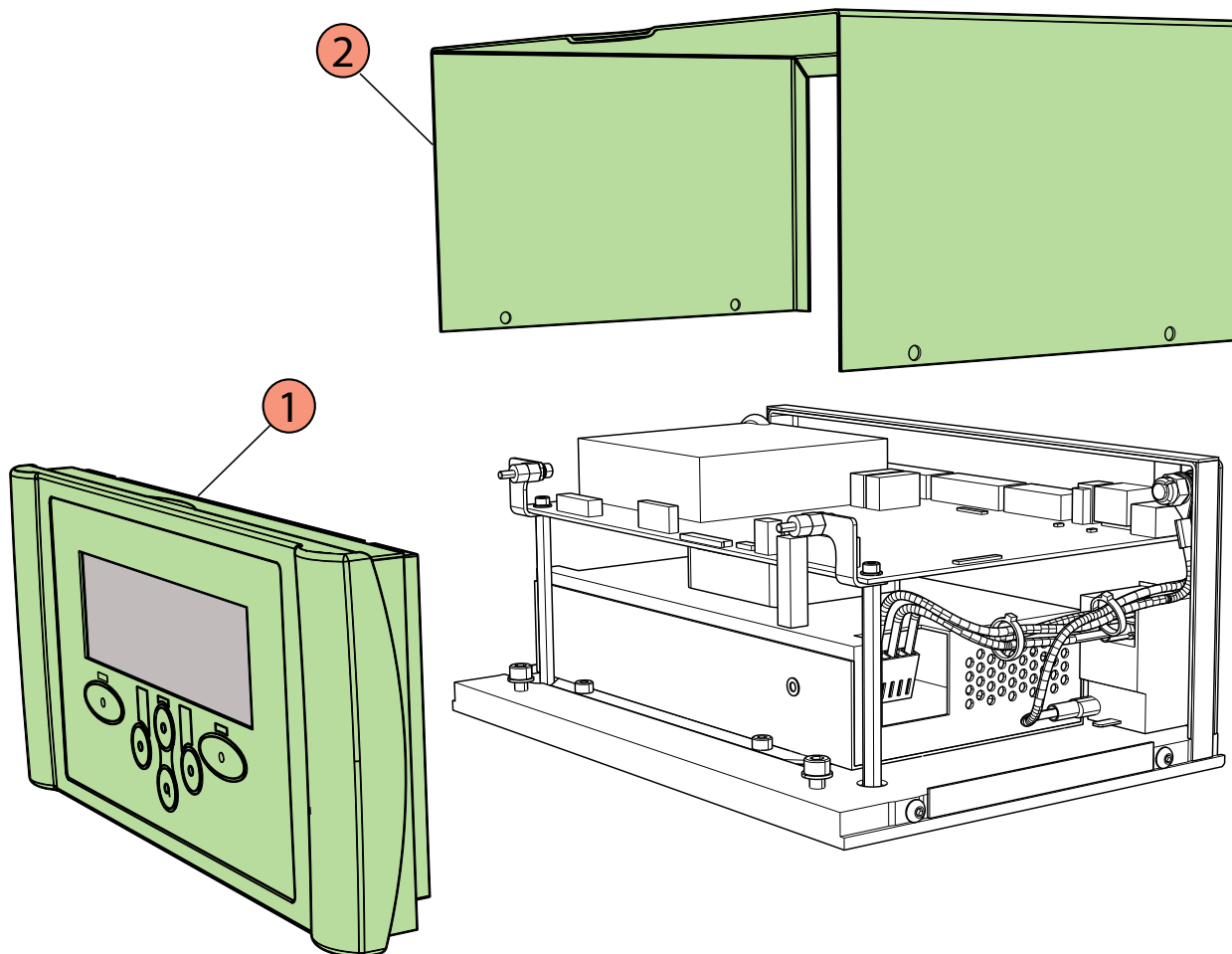


Part number	Description
10058509	SMARTDATE X60 MONOCHROME USER INTERFACE CONTROLLER

for parts & service call QLC (800) 837-1309

Controller Components

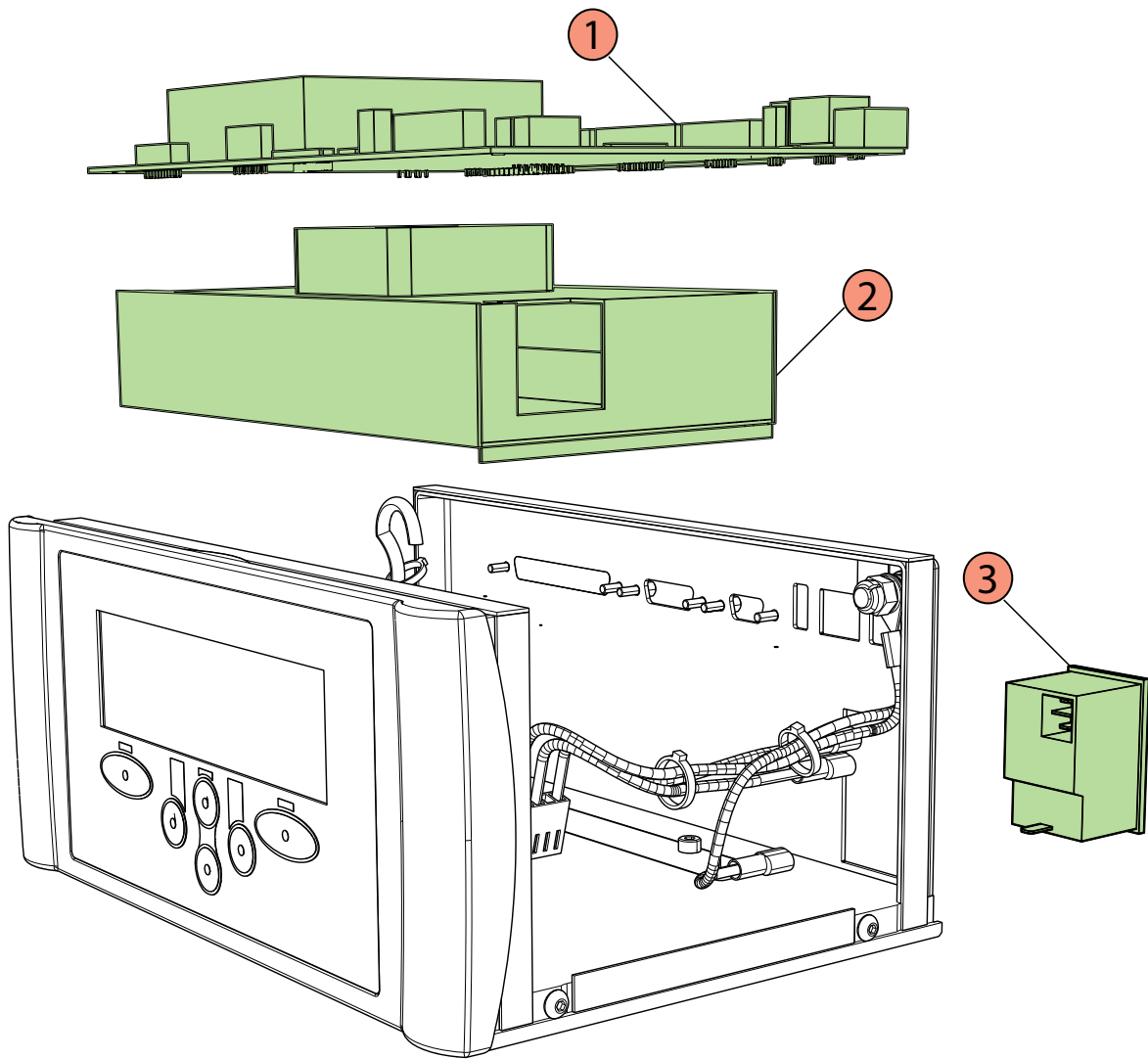
■ Mono Front Panel & Controller Top Cover



Item	Part number	Description
1	ENM10059350	CONTROLLER FRONT PANEL ASSEMBLY - MONO
2	5953184	MONO CONTROLLER TOP COVER

for parts & service call QLC (800) 837-1309

■ PCB, Power Supply Unit & Power Entry

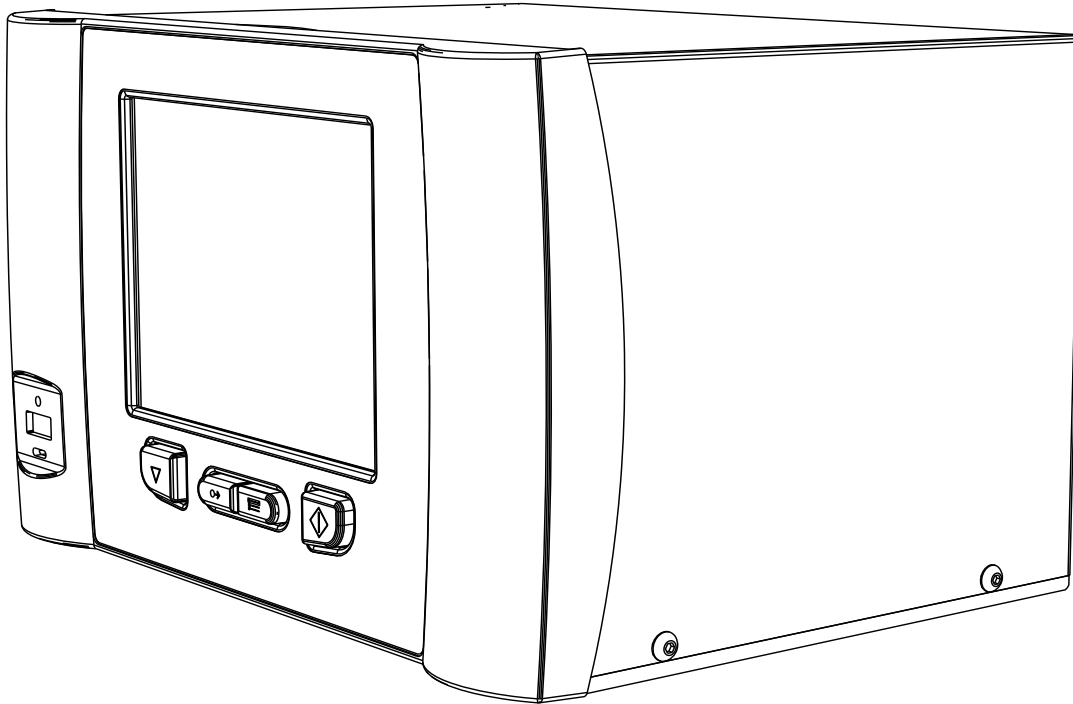


Item	Part number	Description
1	ENM10060624	CONTROL BOARD ASSEMBLY
2	5670732	CONTROLLER PSU
3	ENM10055578	POWER ENTRY SPARES KIT

for parts & service call QLC (800) 837-1309

Controller Components

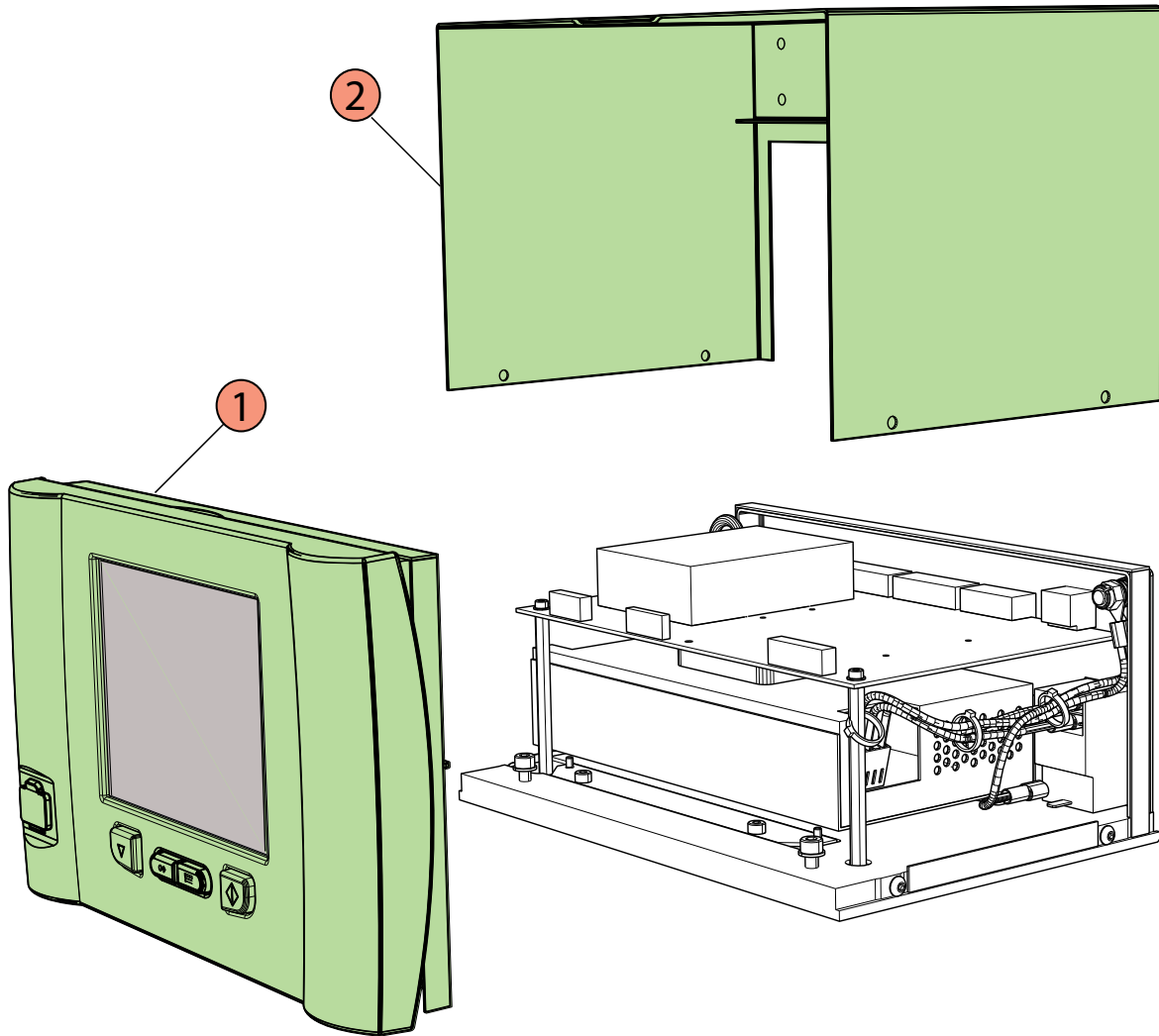
■ Colour Controller



Part number	Description
10058508	SMARTDATE X60 COLOUR USER INTERFACE CONTROLLER

for parts & service call QLC (800) 837-1309

■ Front Panel Assembly & PCB

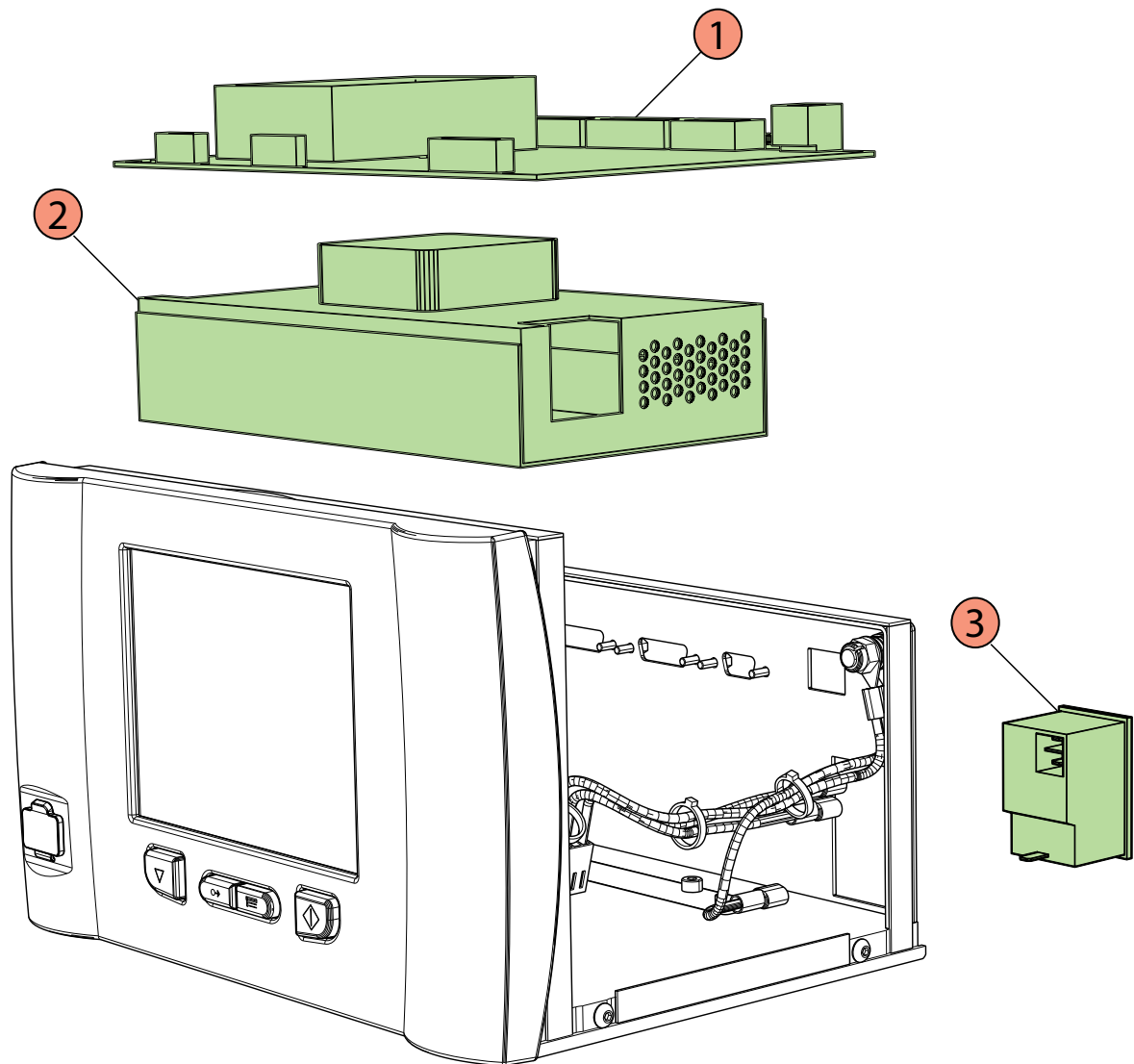


Item	Part number	Description
1	ENM10058480	CONTROLLER FRONT PANEL ASSEMBLY - CUI
2	10028607	CUI CONTROLLER TOP COVER

for parts & service call QLC (800) 837-1309

Controller Components

■ Controller PCB, Power Supply & Power Entry



Item	Part number	Description
1	ENM10060624	CONTROL BOARD ASSEMBLY
2	5670732	CONTROLLER PSU
3	ENM10055578	POWER ENTRY SPARES KIT

for parts & service call QLC (800) 837-1309

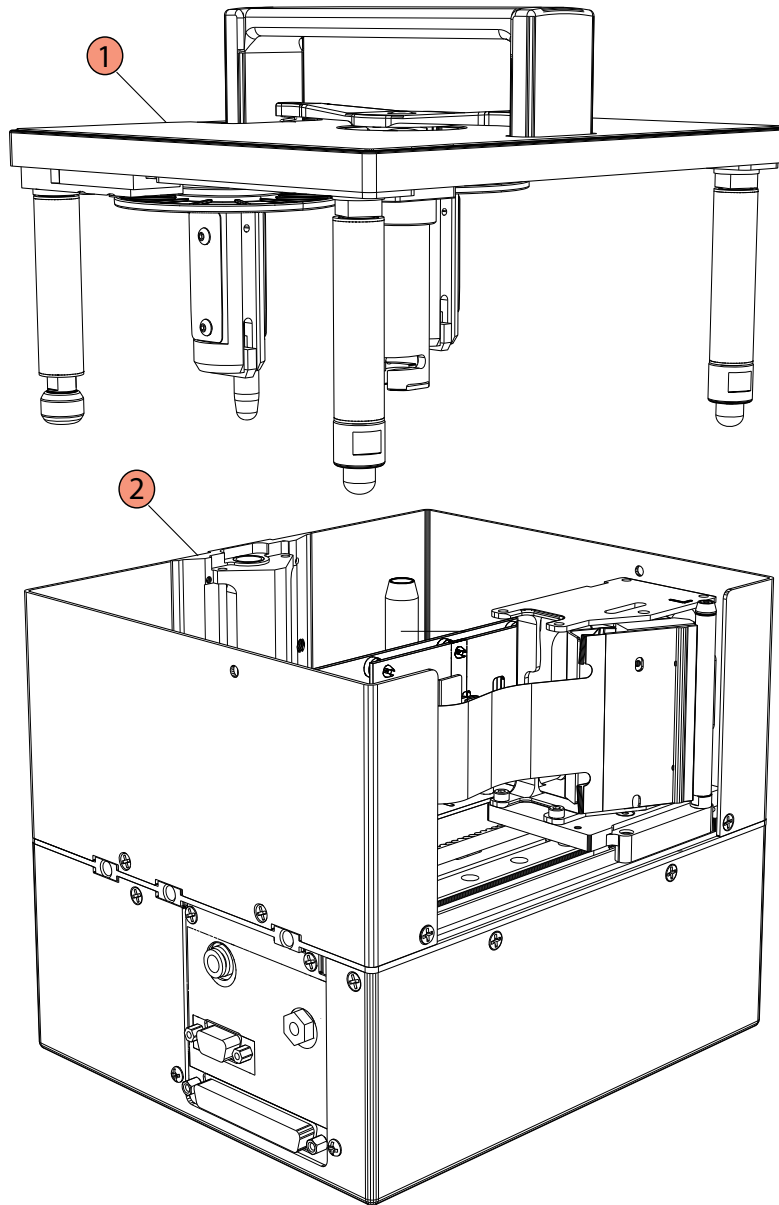
SmartDate X60 - Printers

for parts & service call QLC (800) 837-1309

SmartDate X60 - printers

for parts & service call QLC (800) 837-1309

■ Non Shuttled Printer and Cassette (left hand)

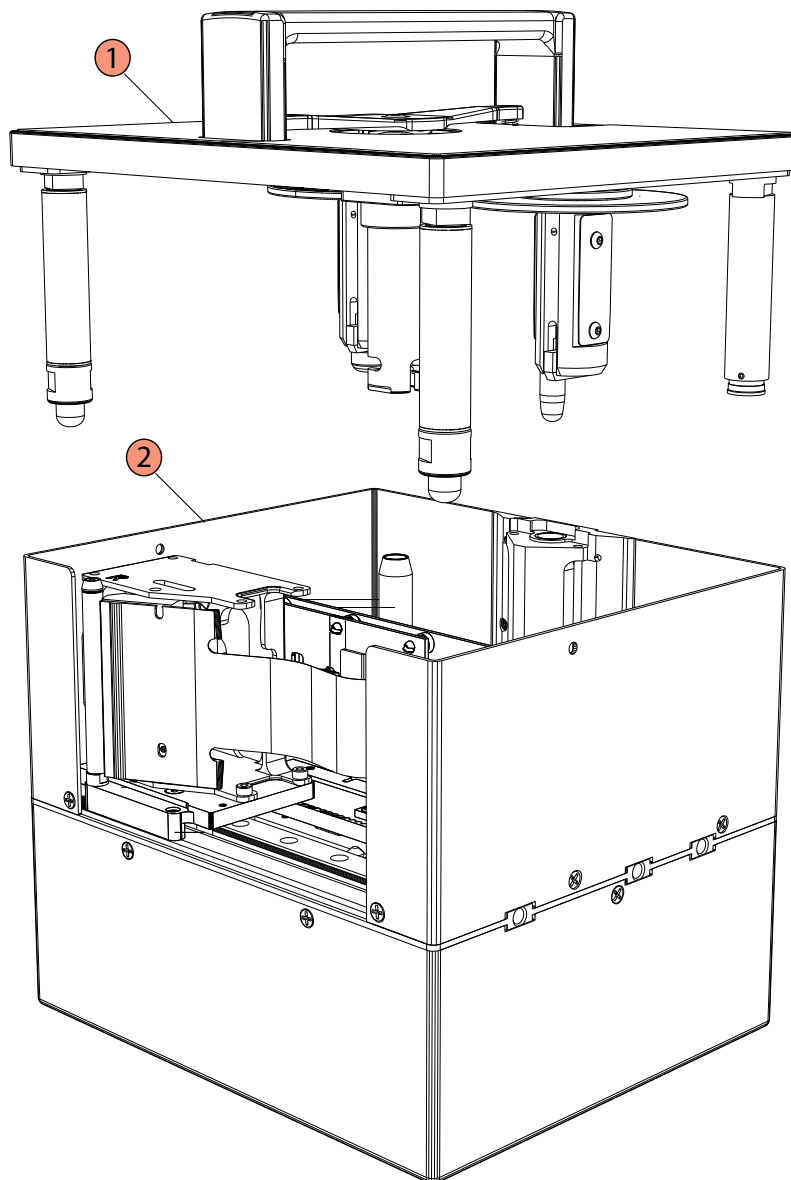


Item	Part number	Description
1	10058502	SMARTDATE X60 NON SHUTTLED CASSETTE (LEFT HAND)
2	10058500	SMARTDATE X60 NON SHUTTLED PRINTER (LEFT HAND)

for parts & service call QLC (800) 837-1309

SmartDate X60 - printers

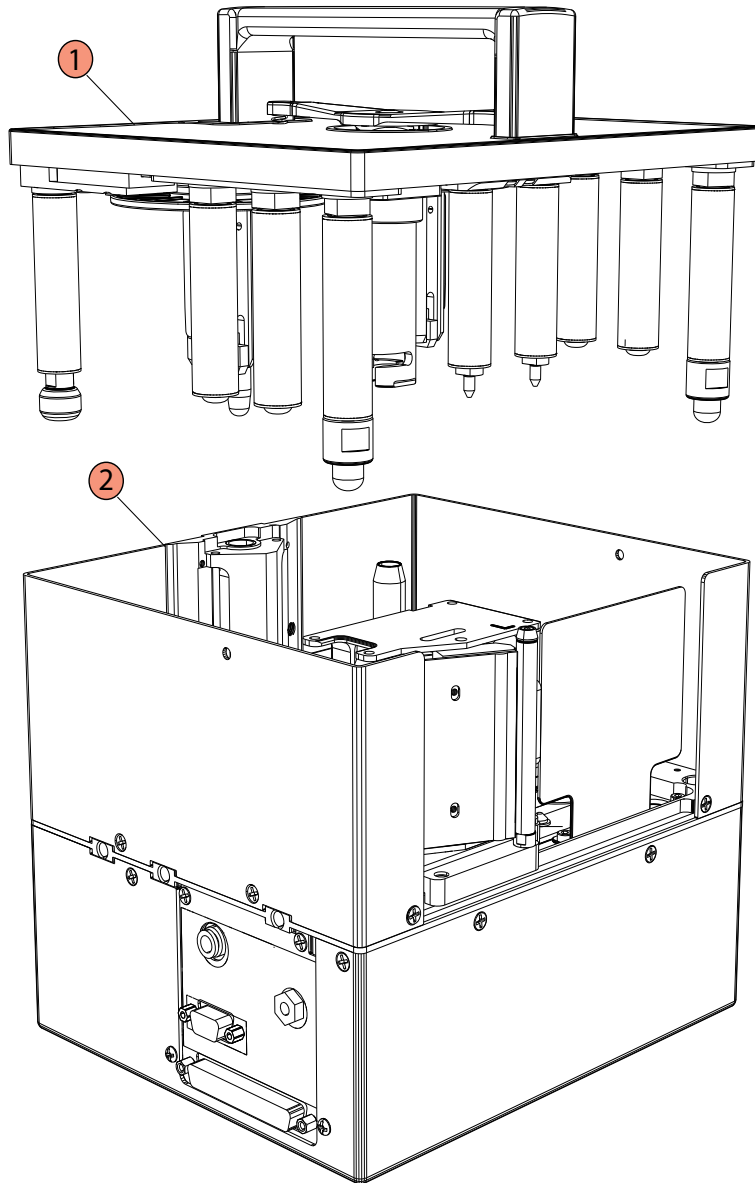
■ Non Shuttled Printer and Cassette (right hand)



Item	Part number	Description
1	10058503	SMARTDATE X60 NON SHUTTLED CASSETTE (RIGHT HAND)
2	10058501	SMARTDATE X60 NON SHUTTLED PRINTER (RIGHT HAND)

for parts & service call QLC (800) 837-1309

■ Shuttled Printer and Cassette (left hand)

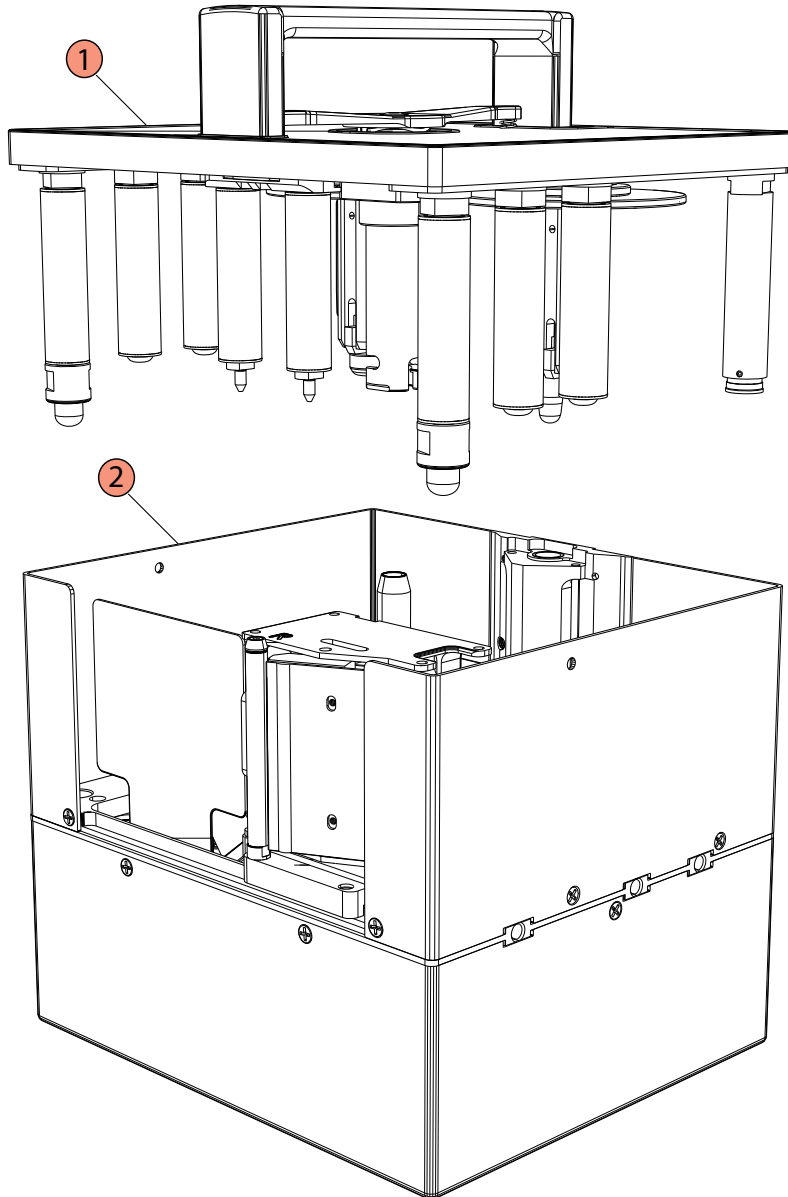


Item	Part number	Description
1	10058506	SMARTDATE X60 SHUTTLED CASSETTE (LEFT HAND)
2	10058504	SMARTDATE X60 SHUTTLED PRINTER (LEFT HAND)

for parts & service call QLC (800) 837-1309

SmartDate X60 - printers

■ Shuttled Printer and Cassette (right hand)



Item	Part number	Description
1	10058507	SMARTDATE X60 SHUTTLED CASSETTE (RIGHT HAND)
2	10058505	SMARTDATE X60 SHUTTLED PRINTER (RIGHT HAND)

for parts & service call QLC (800) 837-1309

Non Shuttle Printer Components

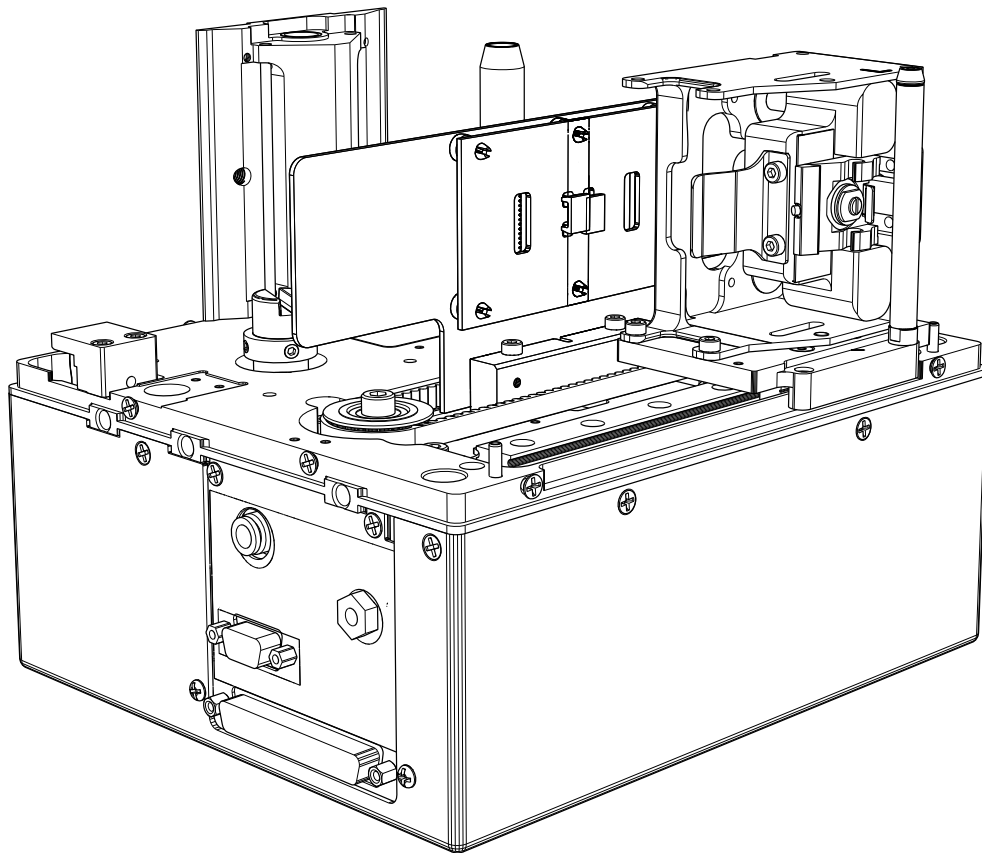
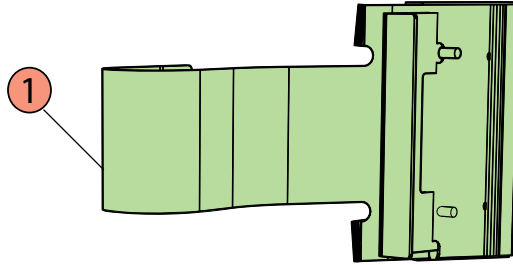
for parts & service call QLC (800) 837-1309

Non shuttle printer components

for parts & service call QLC (800) 837-1309

Non shuttle printer components

■ Printhead Assembly

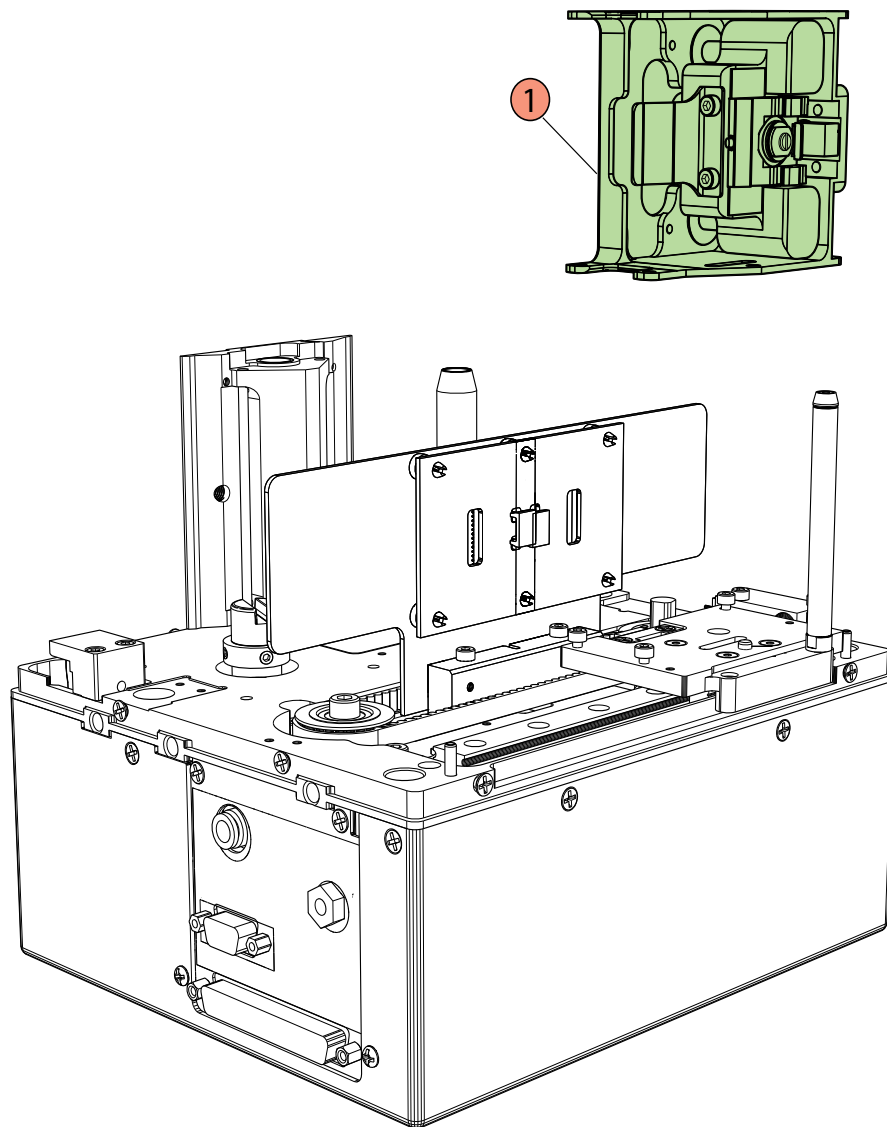


Item No.	Part number	Description
1	ENM10058307	53mm PRINthead ASSEMBLY

for parts & service call QLC (800) 837-1309

Non shuttle printer components

■ Print Module Assembly

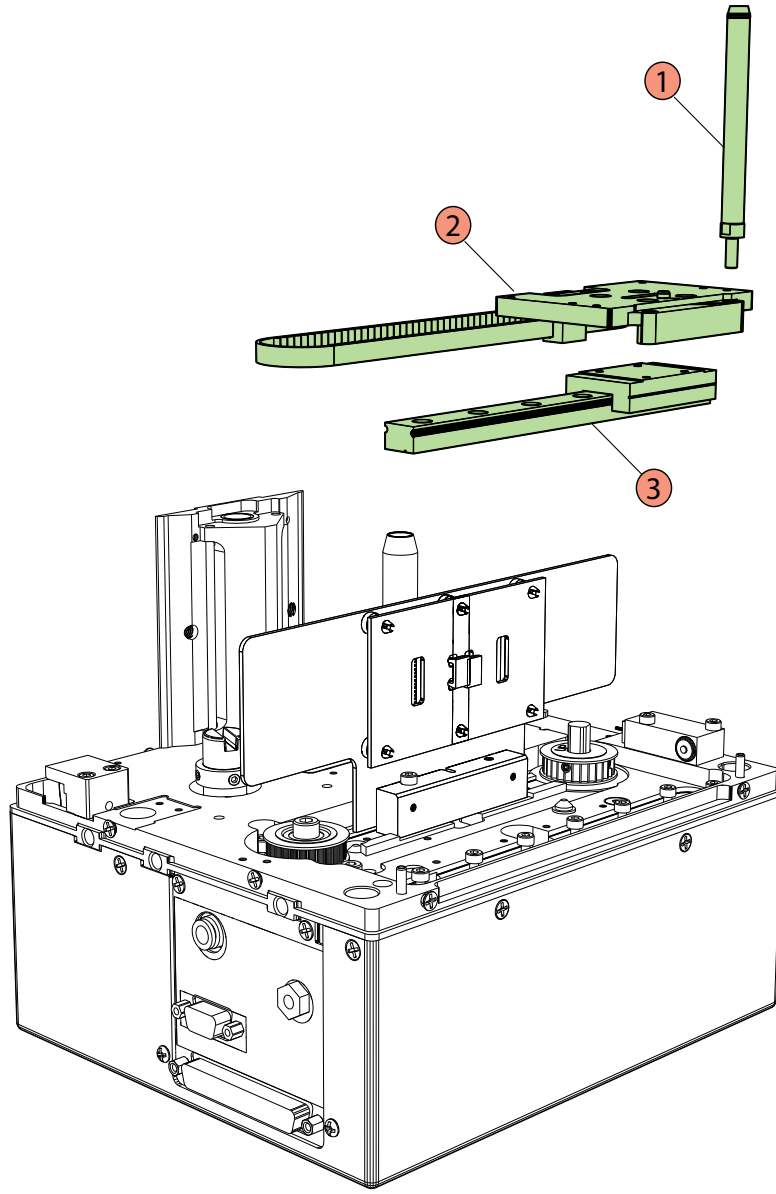


Item No.	Part number	Description
1	ENM10055040	PRINT MODULE ASSEMBLY

for parts & service call QLC (800) 837-1309

Non shuttle printer components

■ Peel Roller, Mounting Assembly & Carriage

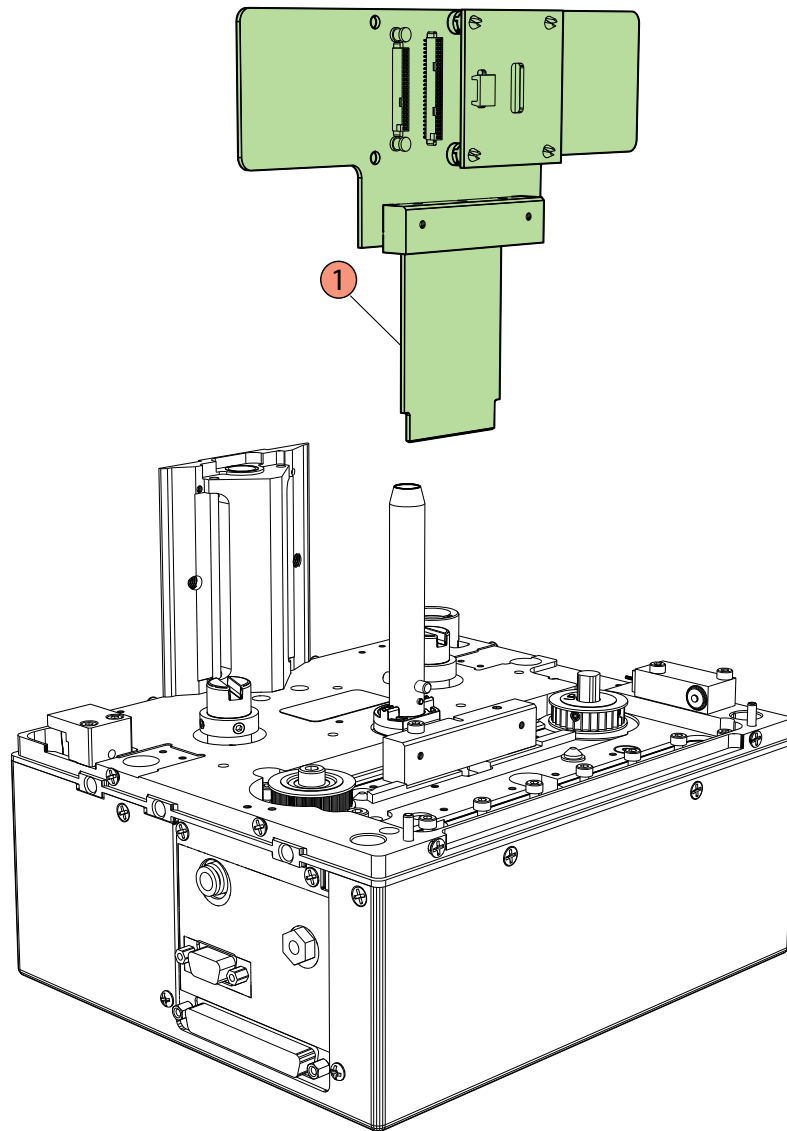


Item No.	Part number	Description
1	5825546	PEEL ROLLER ASSEMBLY
2	ENM10026503	PRINthead MODULE MOUNTING ASSEMBLY
3	5210986	GUIDE RAIL AND CARRIAGE ASSEMBLY

for parts & service call QLC (800) 837-1309

Non shuttle printer components

■ Interconnect Board Assembly

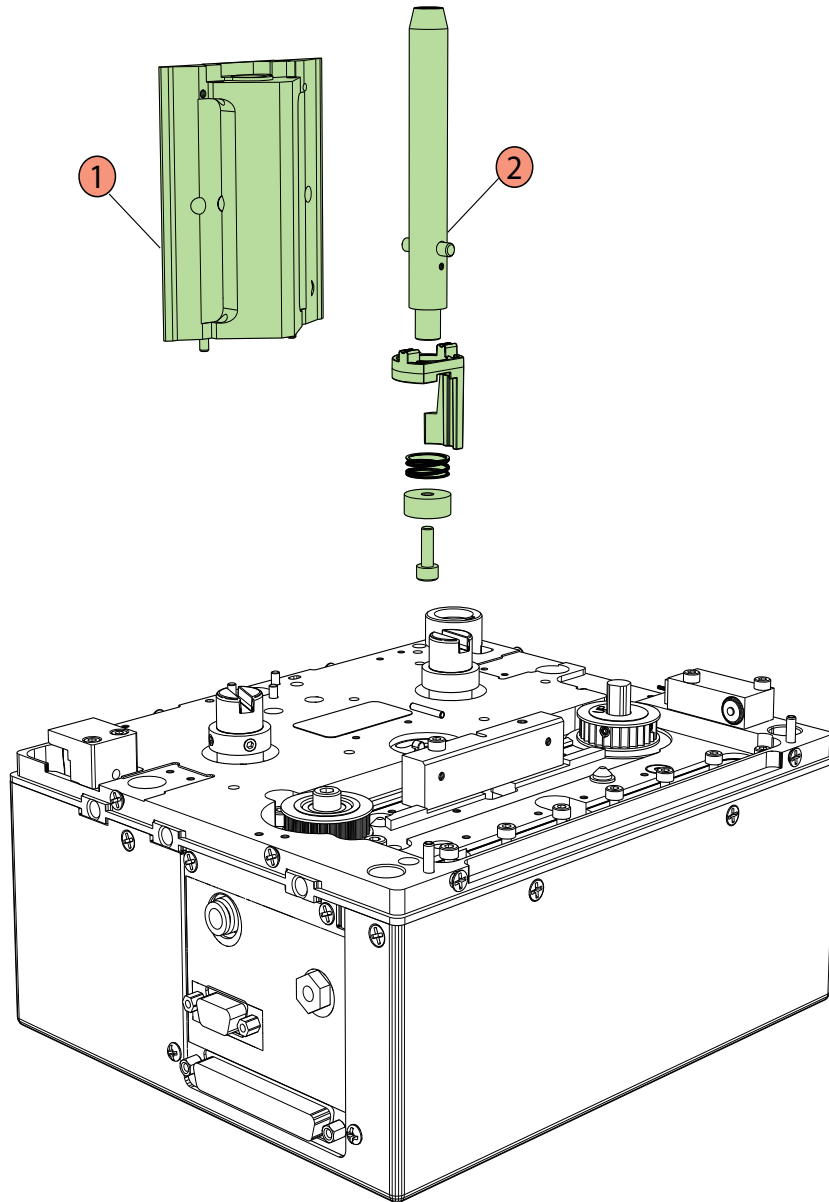


Item No.	Part number	Description
1	ENM10058324	INTERCONNECT BOARD ASSEMBLY

for parts & service call QLC (800) 837-1309

Non shuttle printer components

■ Latch Shaft & Mounting Bracket Assembly

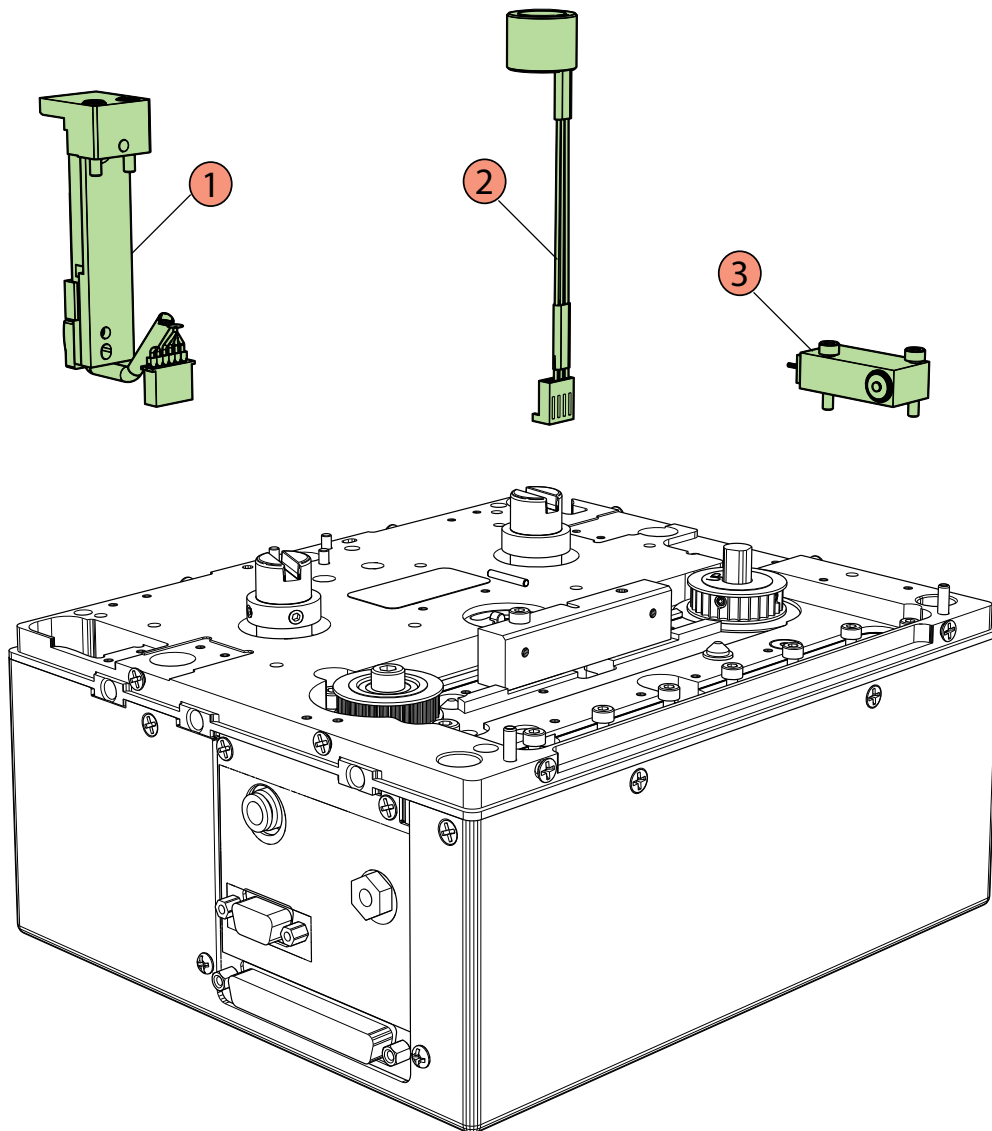


Item No.	Part number	Description
1	10009929	MOUNTING BRACKET ASSEMBLY
2	ENM10055579	PRINTER LATCH SHAFT ASSEMBLY

for parts & service call QLC (800) 837-1309

Non shuttle printer components

■ Ribbon Controller & Movement Sensor.

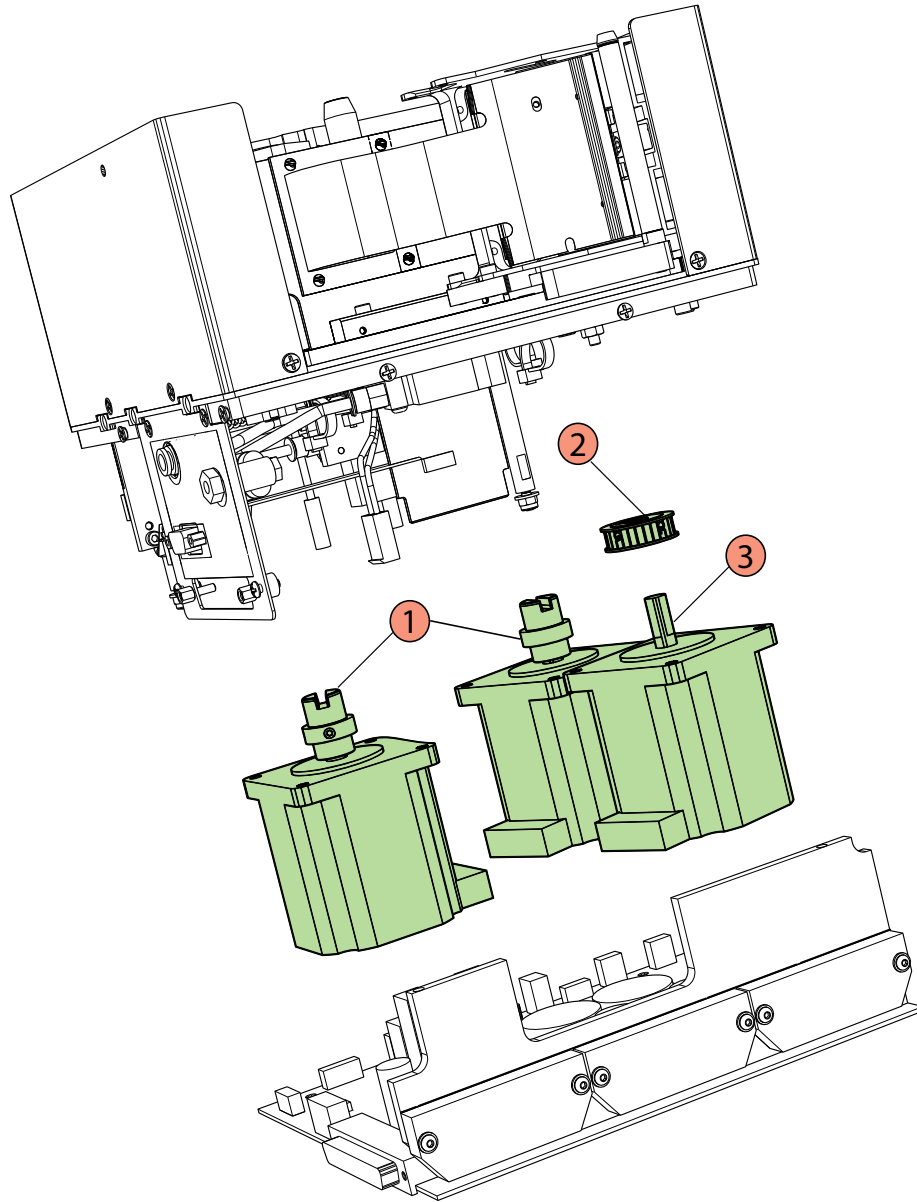


Item No.	Part number	Description
1	ENM10058633	S100 TENSION SENSOR ASSEMBLY (RoHS)
2	5825031	RIBBON MOVEMENT SENSOR ASSEMBLY
3	5825050	PIN PLUNGER MICROSWITCH

for parts & service call QLC (800) 837-1309

Non shuttle printer components

■ Stepper Motors

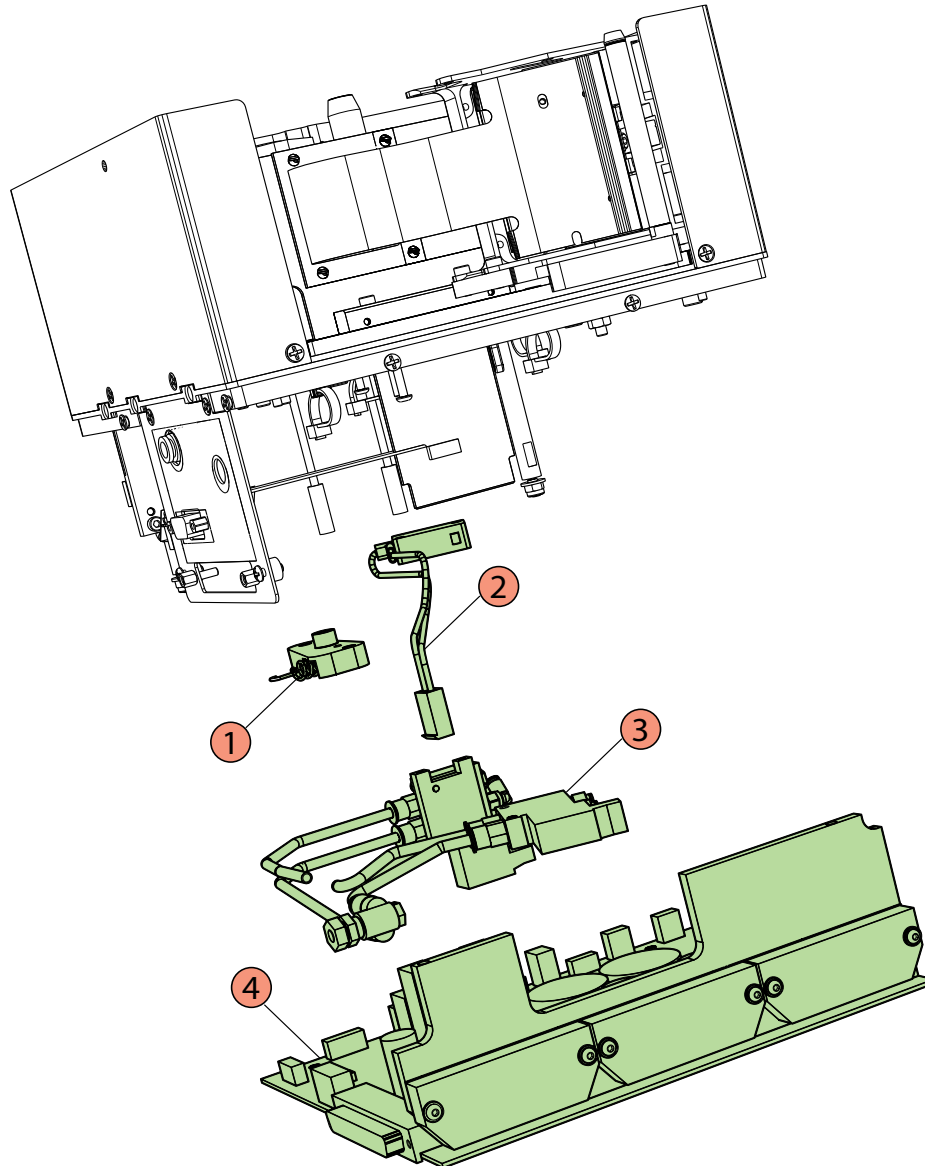


Item No.	Part number	Description
1	ENM10055581	RIBBON MOTOR ASSEMBLY
2	5825249	IDLER PULLEY ASSEMBLY
3	ENM10055582	CARRIAGE MOTOR ASSEMBLY

for parts & service call QLC (800) 837-1309

Non shuttle printer components

Pneumatics & Printer PCB



Item No.	Part number	Description
1	10036435	SEMI AUTOMATIC BELT TENSIONER
2	10047991	CASSETTE SWITCH
3	10041552	PNEUMATICS KIT
4	ENM10062499	PRINTER PCB

for parts & service call QLC (800) 837-1309

Shuttle Printer Components

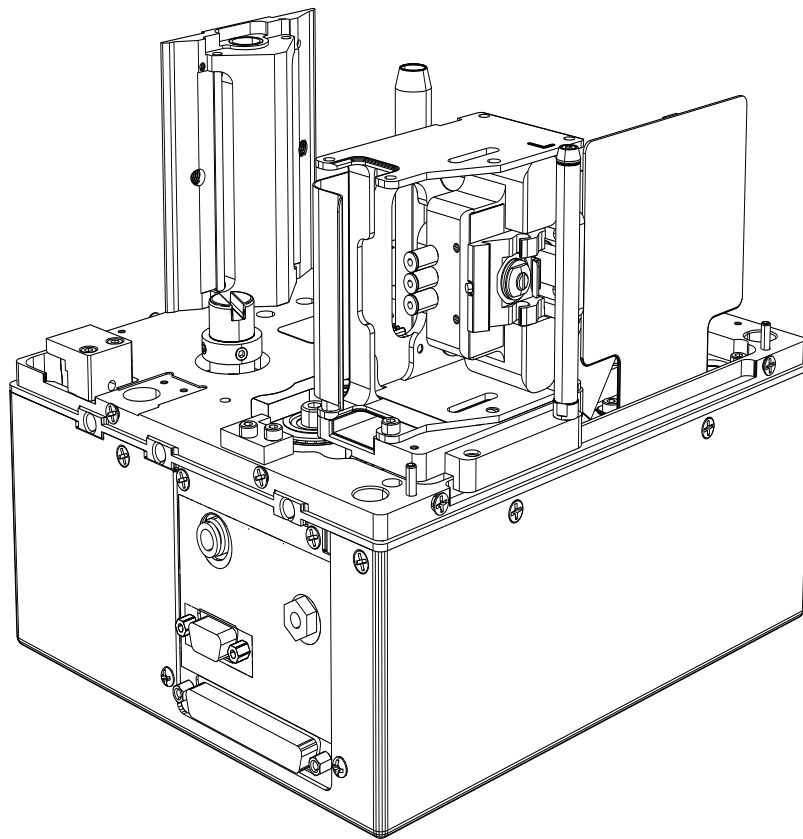
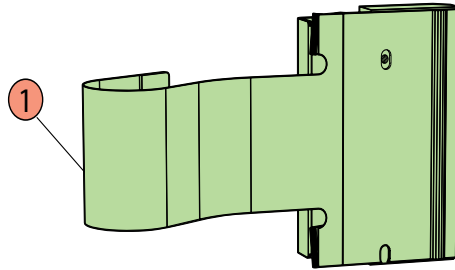
for parts & service call QLC (800) 837-1309

Shuttle printer components

for parts & service call QLC (800) 837-1309

Shuttle printer components

■ 53mm Printhead Assembly

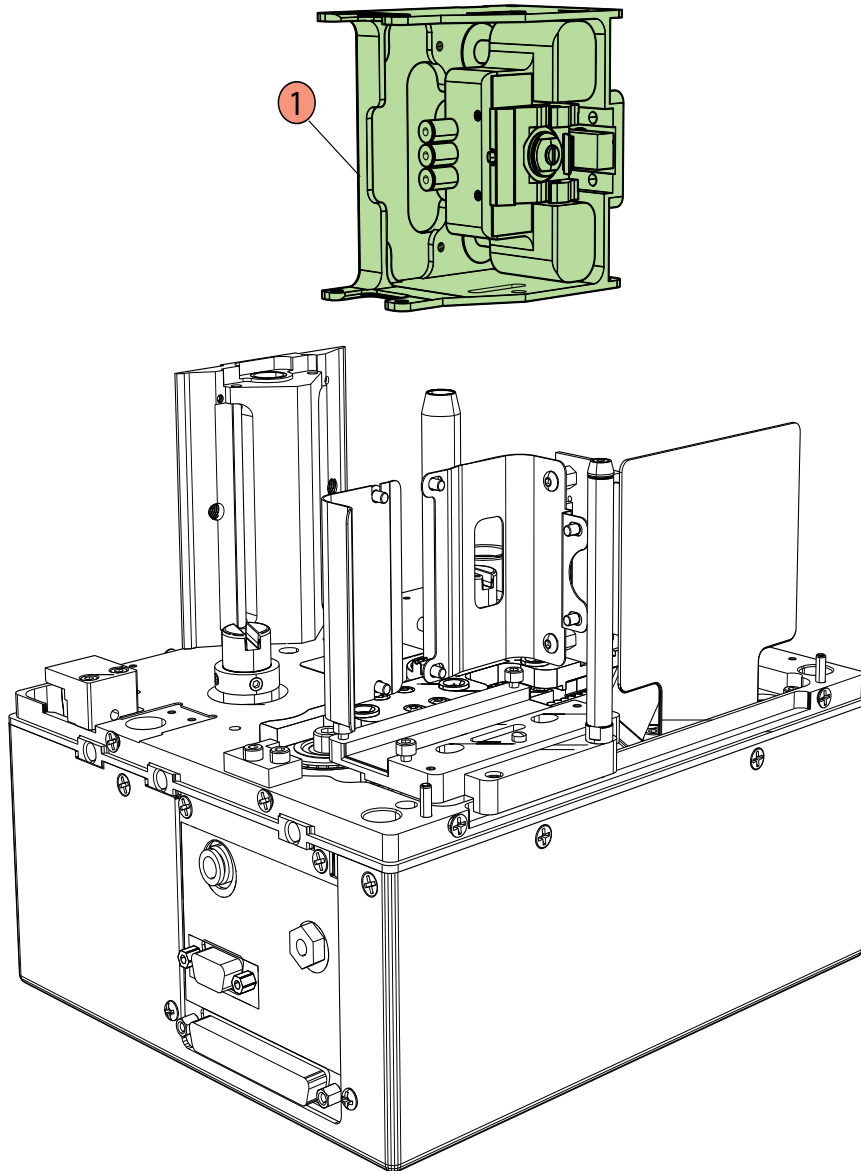


Item No.	Part number	Description
1	ENM10058307	53mm PRINthead ASSEMBLY

for parts & service call QLC (800) 837-1309

Shuttle printer components

■ Print Module Assembly

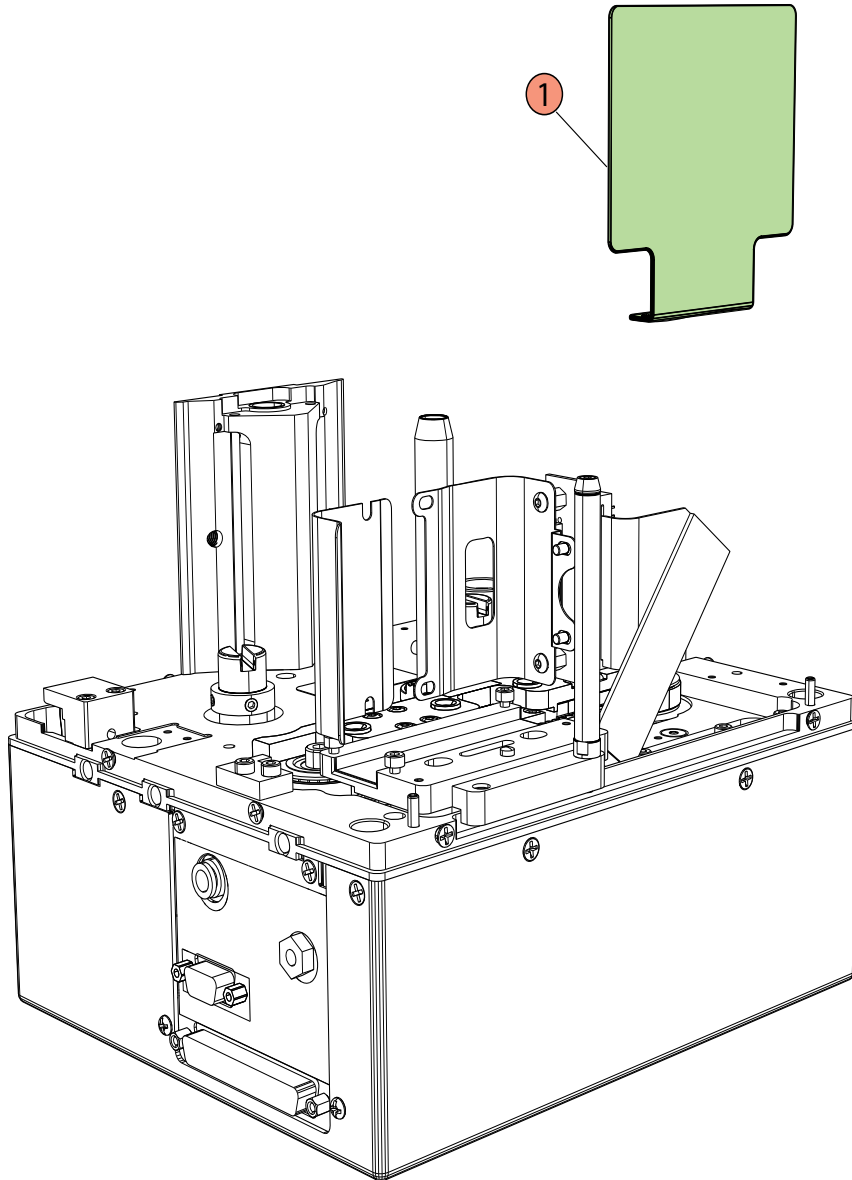


Item No.	Part number	Description
1	ENM10055040	PRINT MODULE ASSEMBLY

for parts & service call QLC (800) 837-1309

Shuttle printer components

■ Shuttle Guard

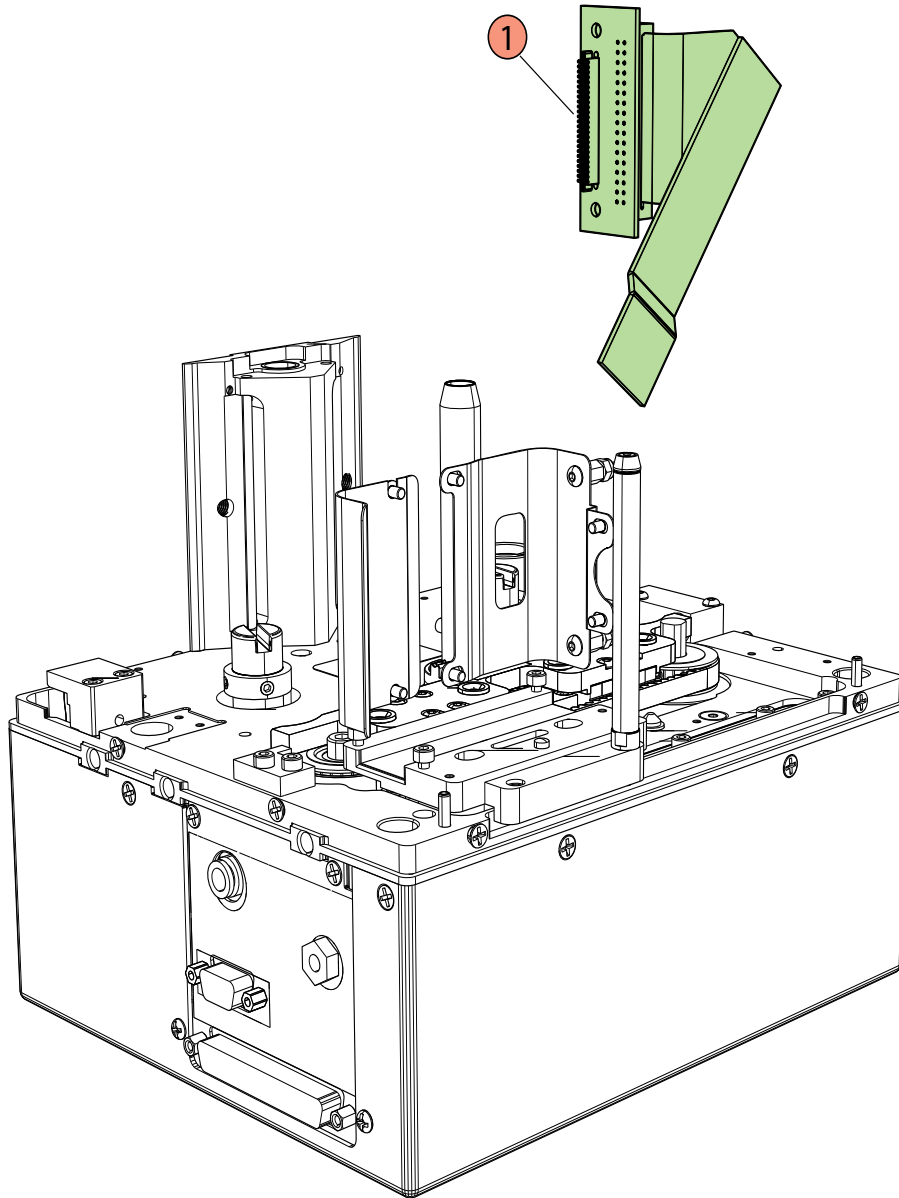


Item No.	Part number	Description
1	ENM5953225	SHUTTLE GUARD KIT

for parts & service call QLC (800) 837-1309

Shuttle printer components

■ Transition PCB Assembly

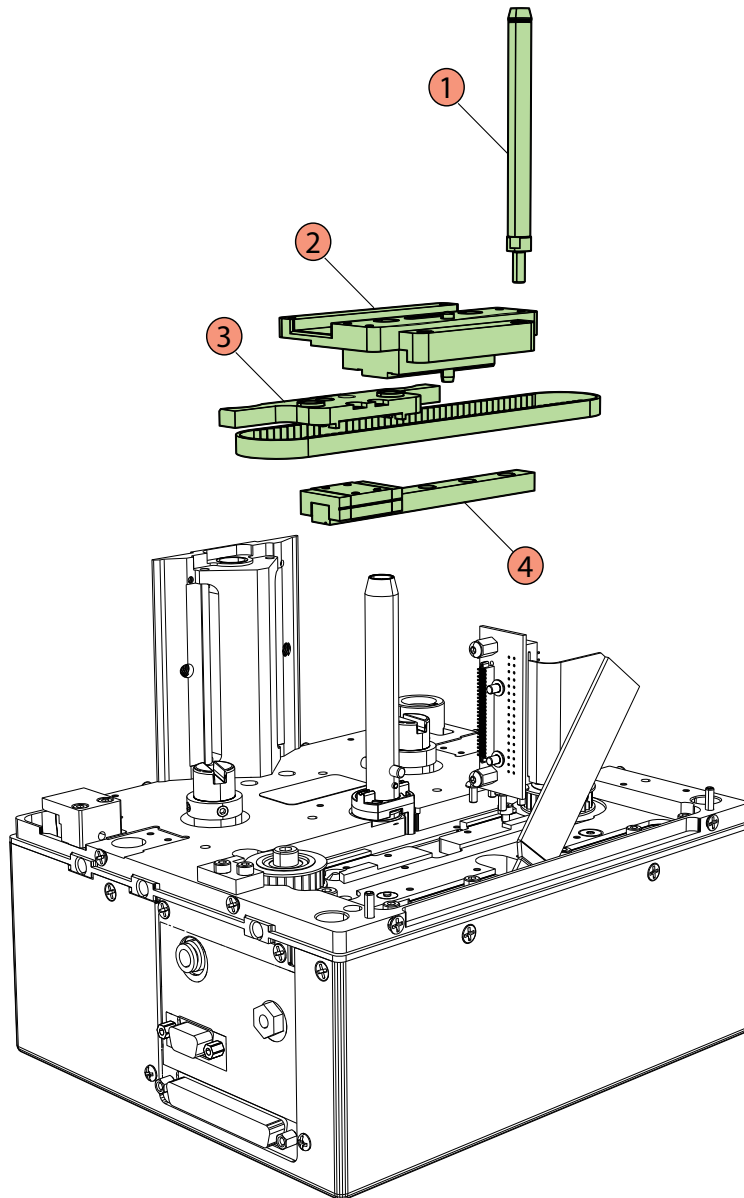


Item No.	Part number	Description
1	ENM10053805	TRANSITION PCB ASSEMBLY

for parts & service call QLC (800) 837-1309

Shuttle printer components

■ Peel Roller-Print Module Mounting & Carriage

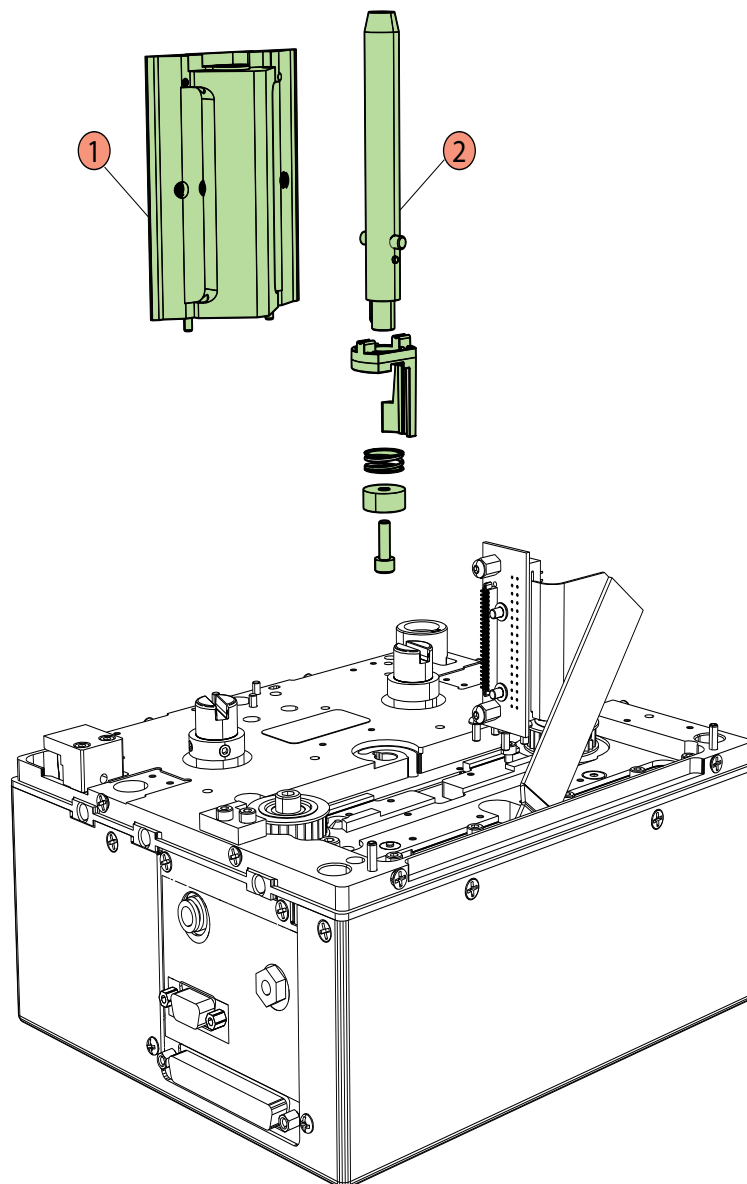


Item No.	Part number	Description
1	5825546	PEEL ROLLER ASSEMBLY
2	10042870	SHUTTLE PRINthead MODULE MOUNTING ASSEMBLY
3	10026506	PRINTER SHUTTLE CARRIAGE ASSEMBLY
4	5210982	LINEAR SLIDE AND CARRIAGE

for parts & service call QLC (800) 837-1309

Shuttle printer components

■ Latch Shaft & Mounting Bracket Assembly

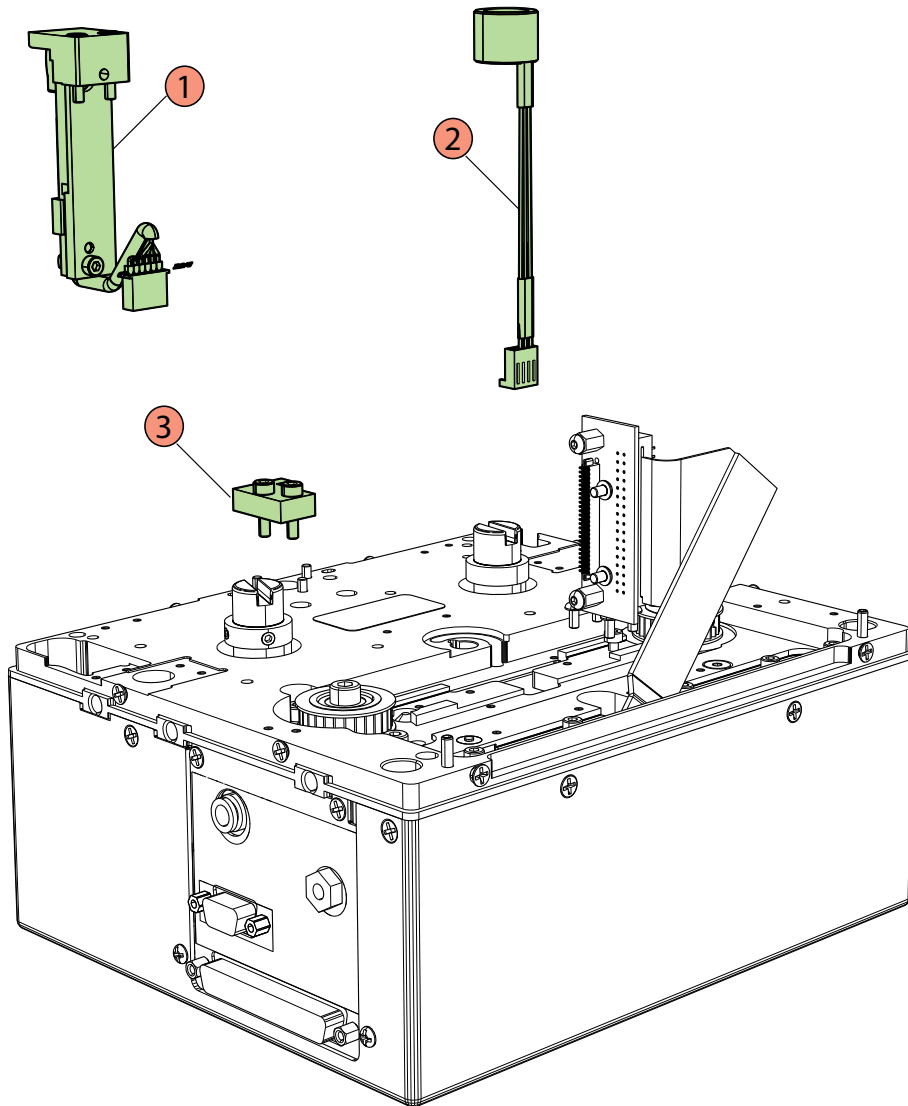


Item No.	Part number	Description
1	10009929	MOUNTING BRACKET ASSEMBLY
2	ENM10055579	PRINTER LATCH SHAFT ASSEMBLY

for parts & service call QLC (800) 837-1309

Shuttle printer components

■ Ribbon Controller & Movement Sensor.

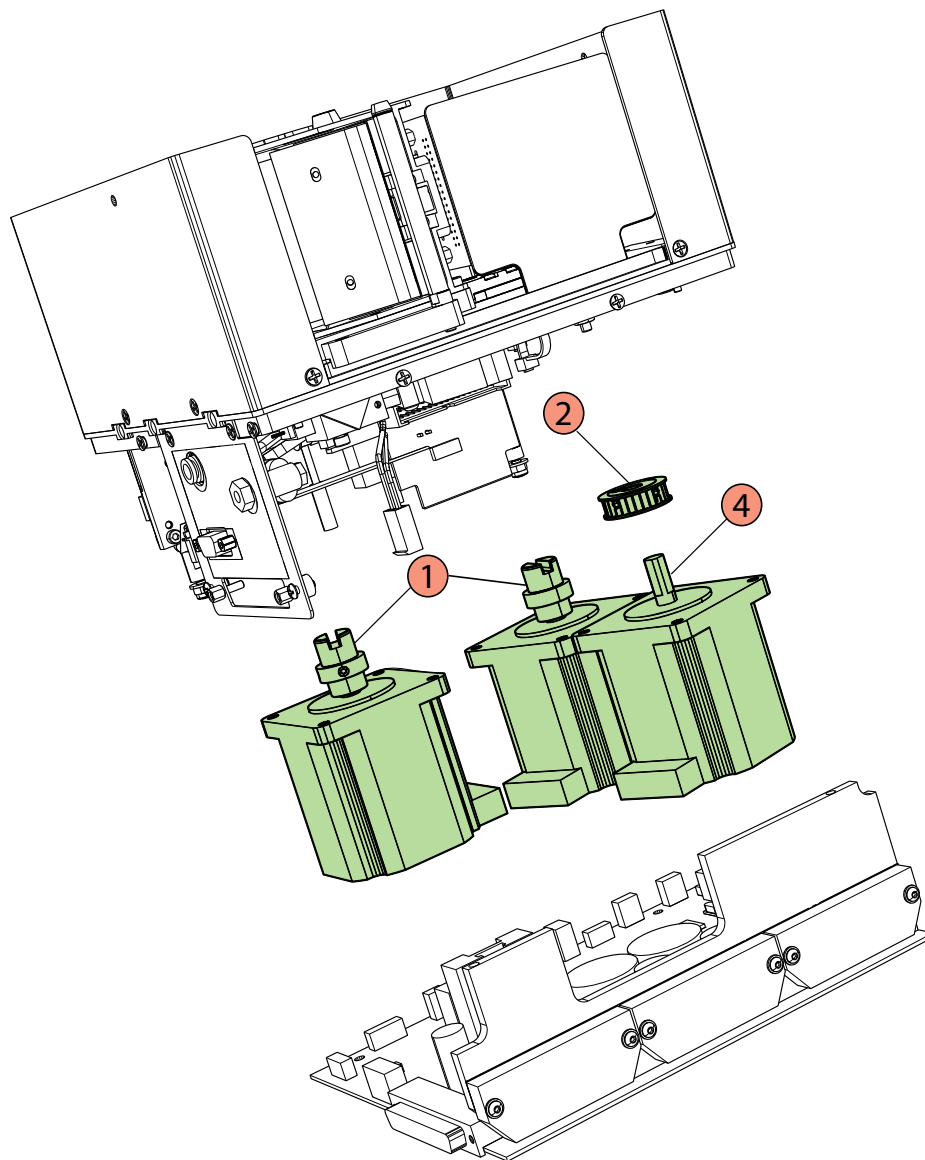


Item No.	Part number	Description
1	ENM10058633	S100 TENSION SENSOR ASSEMBLY (RoHS)
2	5825031	RIBBON MOVEMENT SENSOR ASSEMBLY
3	5825050	PIN PLUNGER MICROSWITCH

for parts & service call QLC (800) 837-1309

Shuttle printer components

■ Stepper Motors.

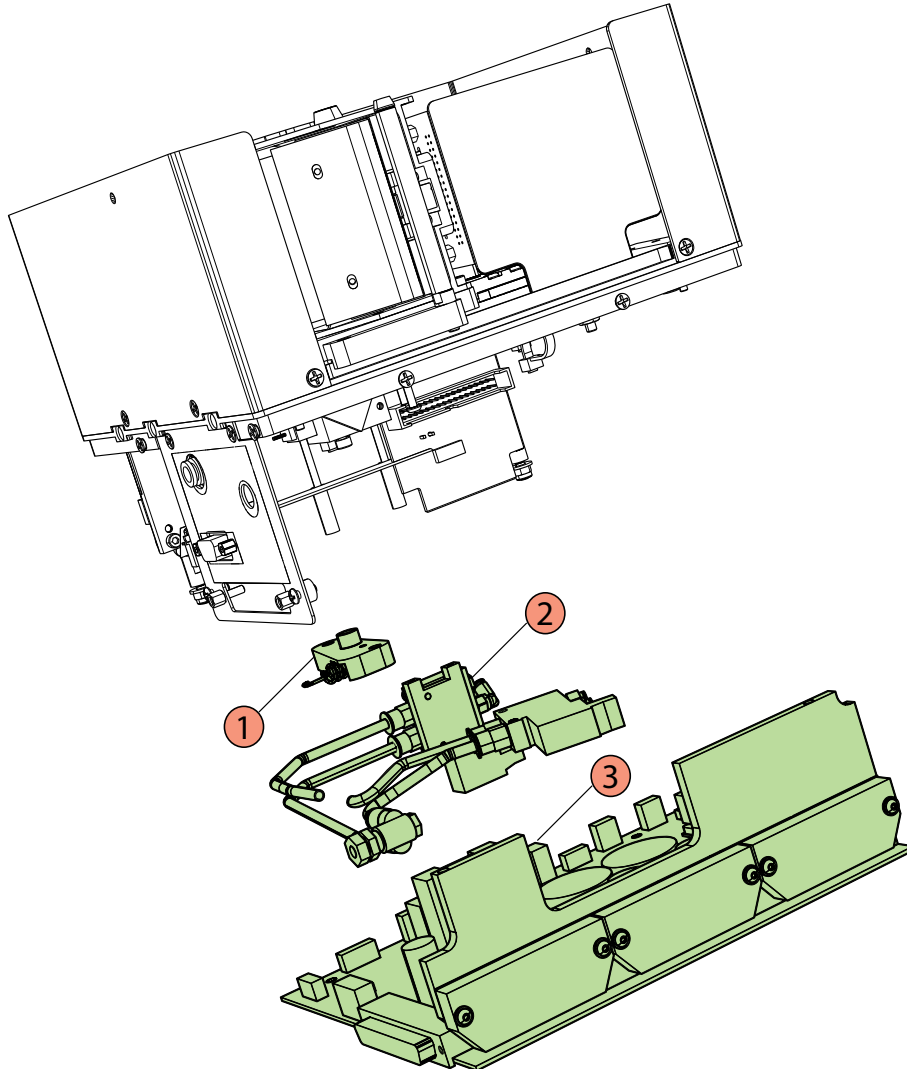


Item No.	Part number	Description
1	ENM10055581	RIBBON MOTOR ASSEMBLY
2	5825294	IDLER PULLEY ASSEMBLY
3	ENM10055582	CARRIAGE MOTOR ASSEMBLY

for parts & service call QLC (800) 837-1309

Shuttle printer components

■ Pneumatics & Printer PCB.

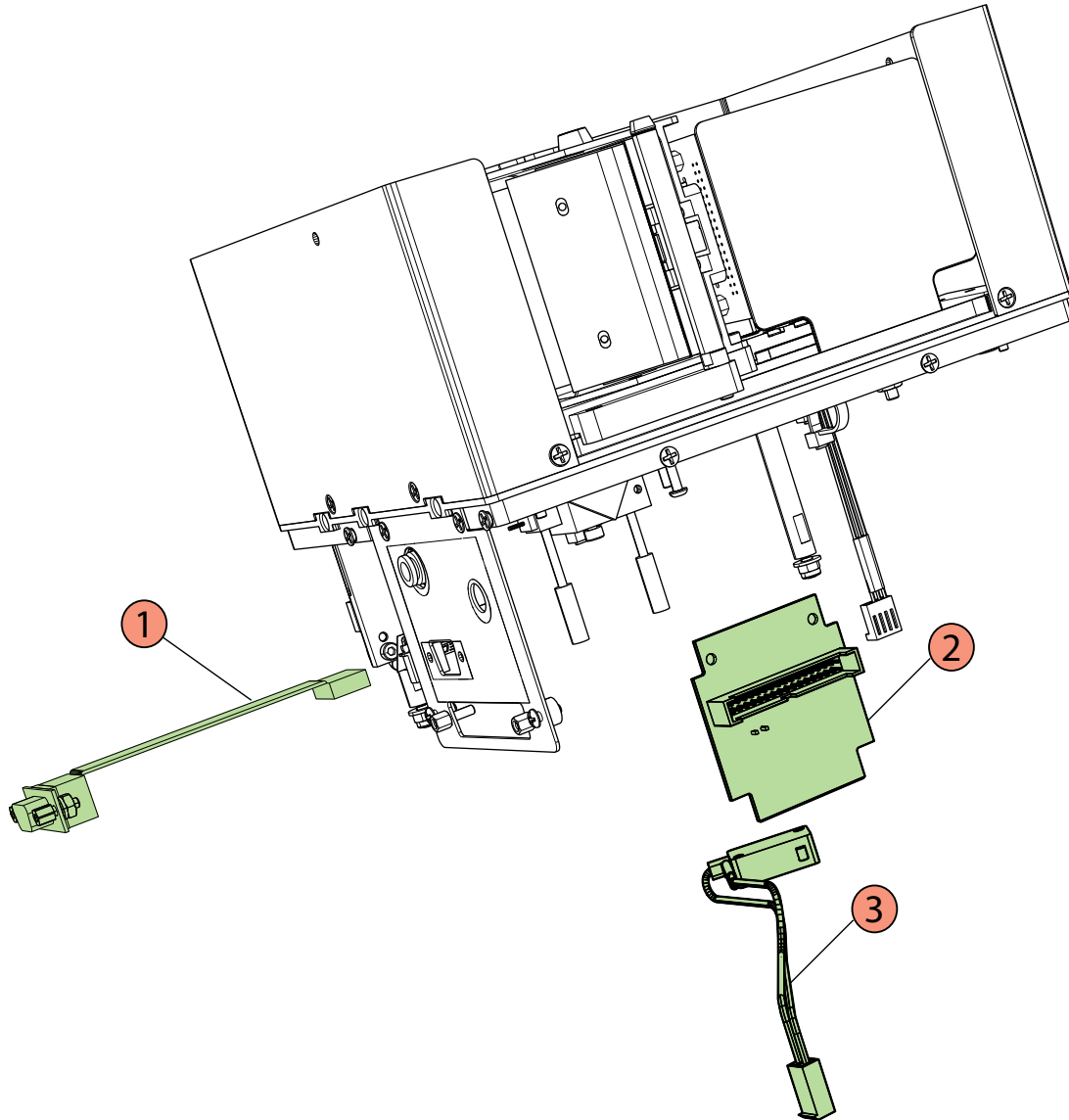


Item No.	Part number	Description
1	10036435	SEMI AUTOMATIC BELT TENSIONER
2	10041552	PNEUMATICS KIT
3	ENM10062499	PRINTER BOARD ASSEMBLY

for parts & service call QLC (800) 837-1309

Shuttle printer components

Encoder Cable & Interconnect PCB



Item No.	Part number	Description
1	10022807	ENCODER CABLE
2	ENM10053798	INTERCONNECT PCB ASSEMBLY
3	10047991	CASSETTE SWITCH

for parts & service call QLC (800) 837-1309

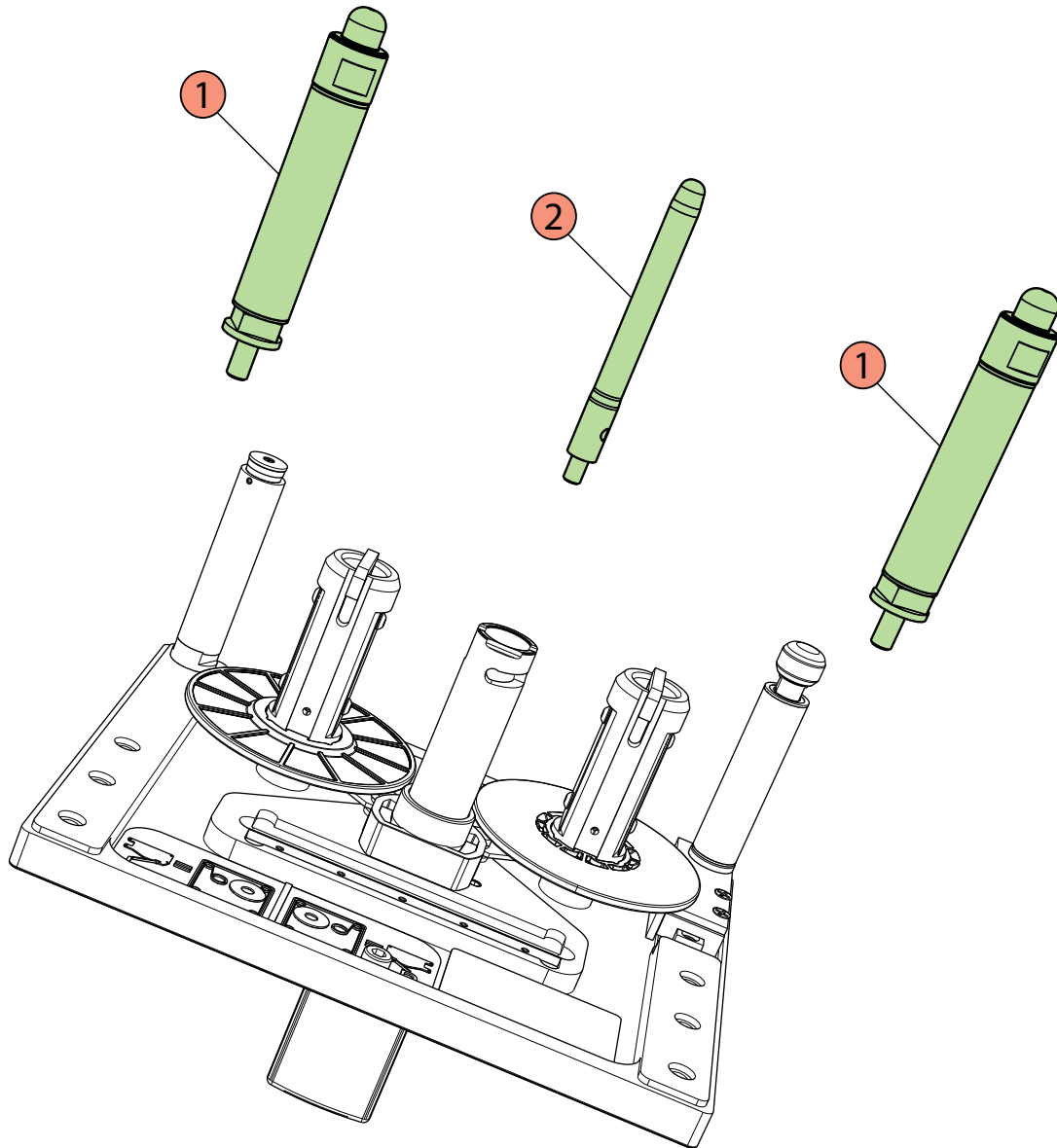
Non Shuttle Cassette Components

for parts & service call QLC (800) 837-1309

Non Shuttle Cassette Components

for parts & service call QLC (800) 837-1309

■ Locating Rollers & Pins

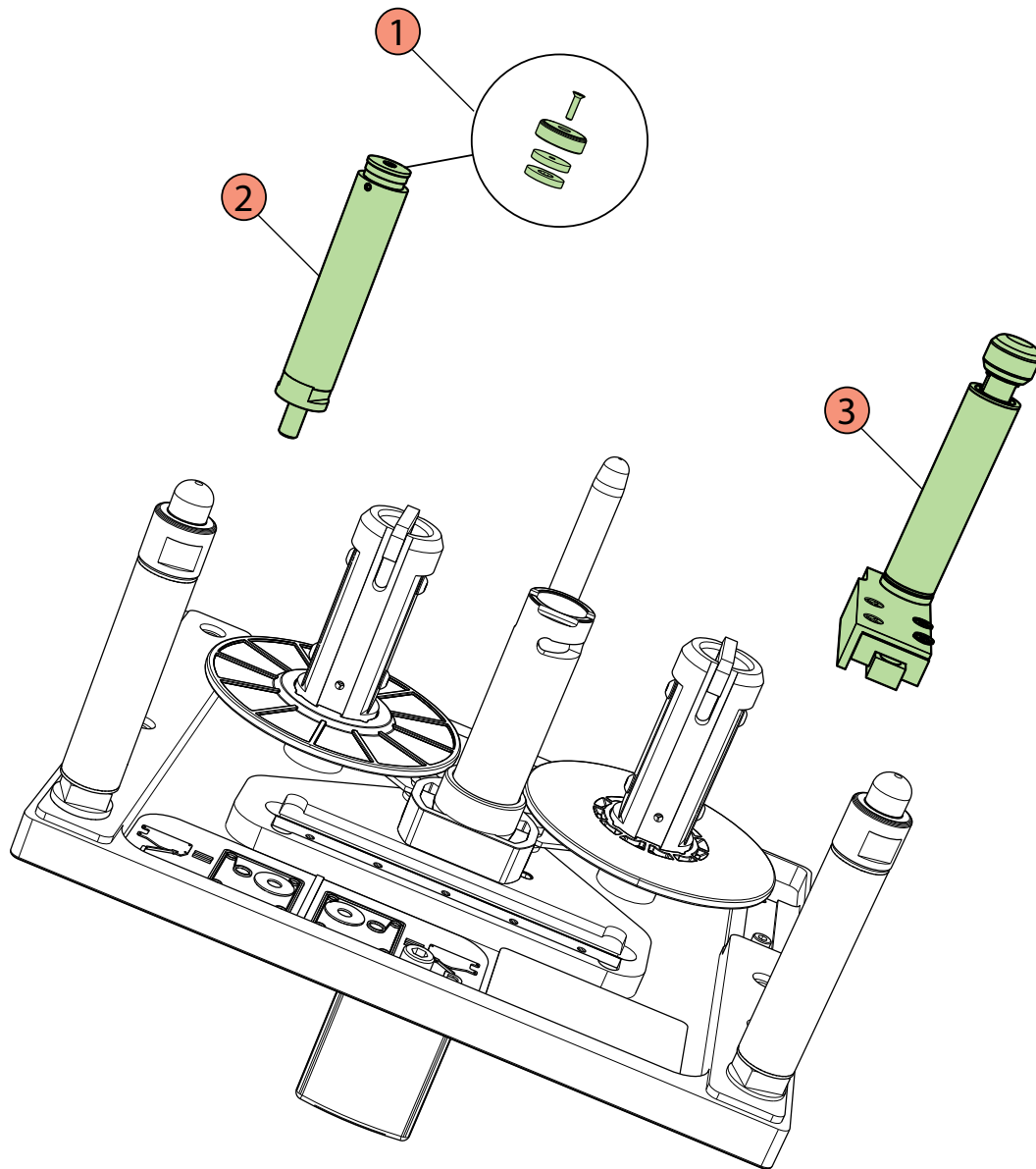


Item	Part number	Description
1	10029510	LOCATING ROLLER ASSEMBLY
2	ENM10062724	CASSETTE LOCATING PIN

for parts & service call QLC (800) 837-1309

Non Shuttle Cassette Components

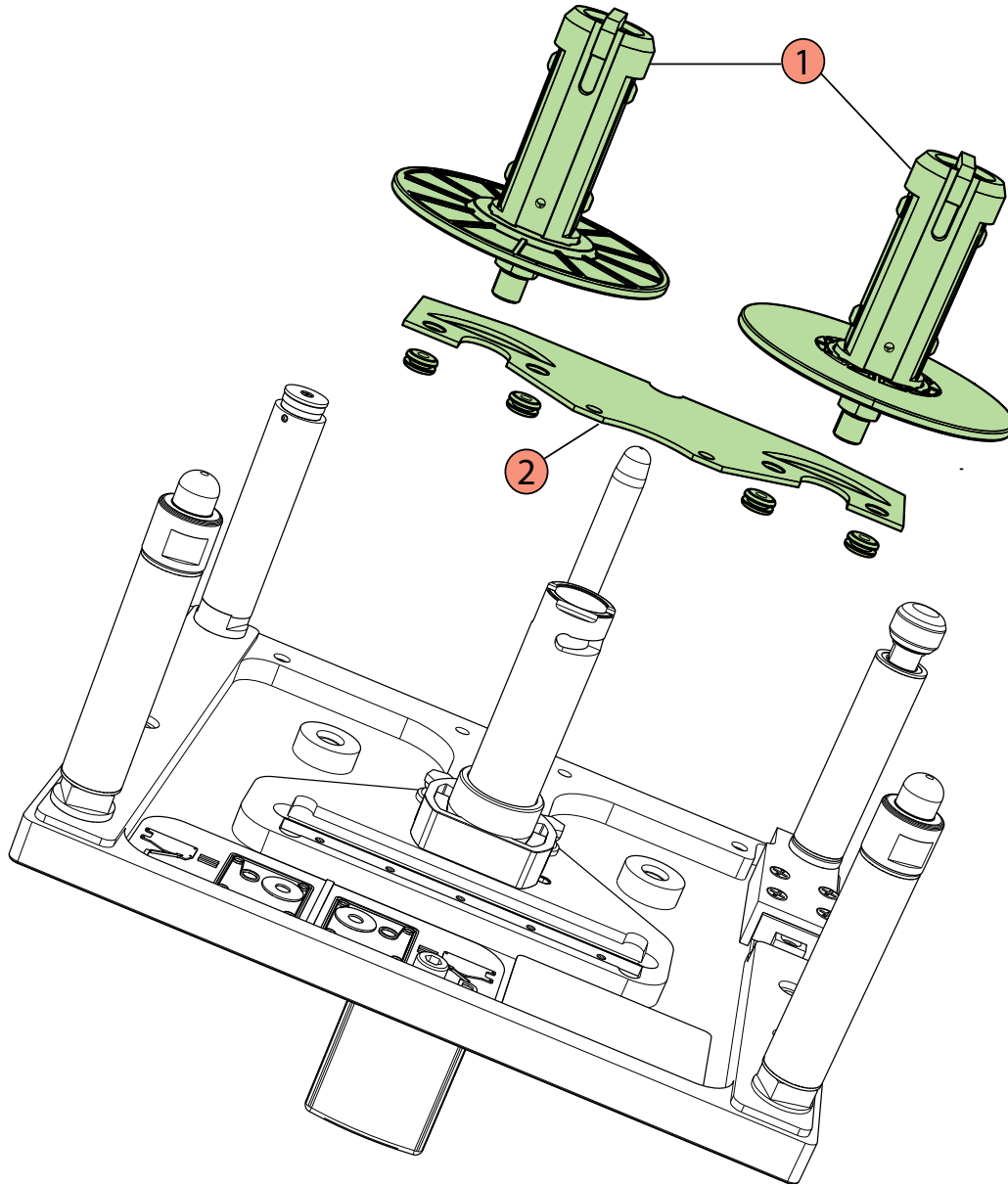
■ Movement Roller & Tension Roller



Item	Part number	Description
1	5825286	MOVEMENT ROLLER MAGNET KIT
2	10029512	MOVEMENT ROLLER ASSEMBLY
3	ENM10054399	TENSION ROLLER & SLIDE KIT

for parts & service call QLC (800) 837-1309

■ Ribbon Supply & Rewind Assemblies

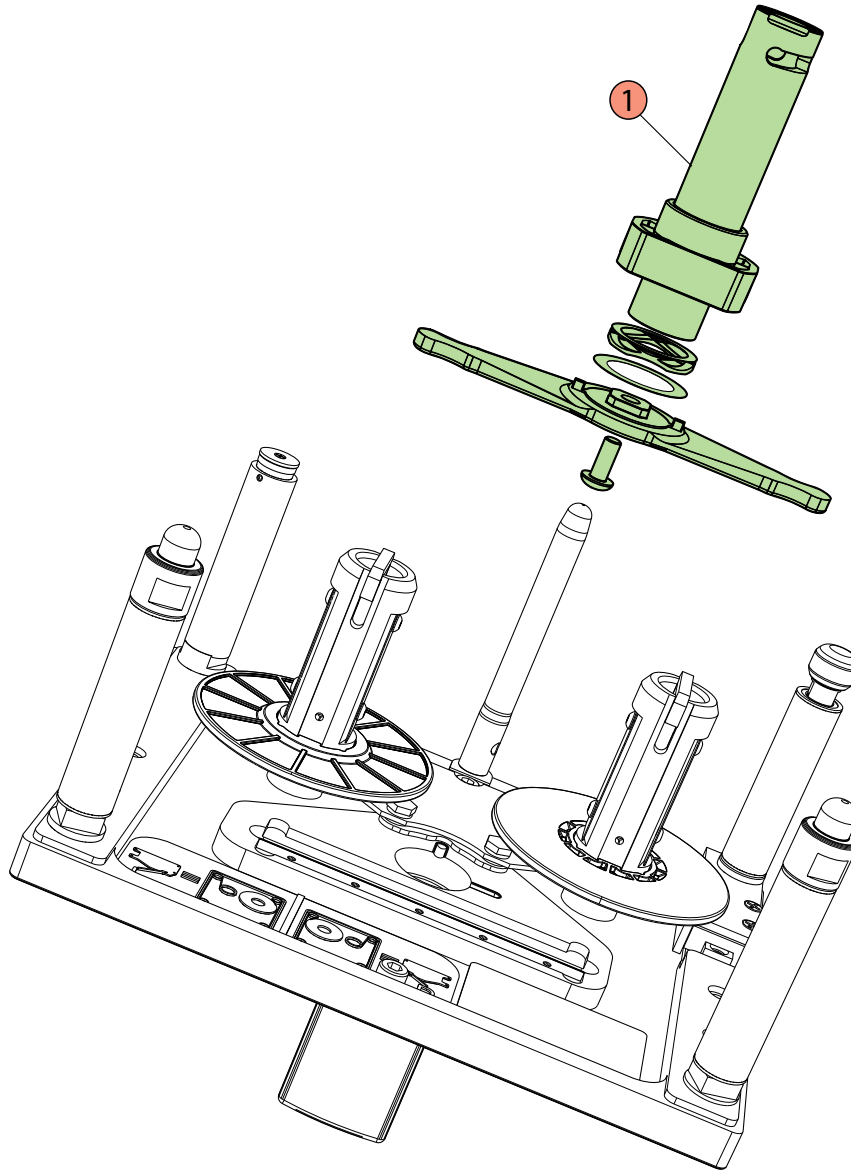


Item	Part number	Description
1	ENM10053306	RIBBON SUPPLY & REWIND ASSEMBLIES
2	ENM10023156	CASSETTE BRAKE PLATE ASSEMBLY

for parts & service call QLC (800) 837-1309

Non Shuttle Cassette Components

■ Latch Tube Assembly



Item	Part number	Description
1	ENM10055580	LATCH TUBE ASSEMBLY KIT

for parts & service call QLC (800) 837-1309

Shuttle Cassette Components

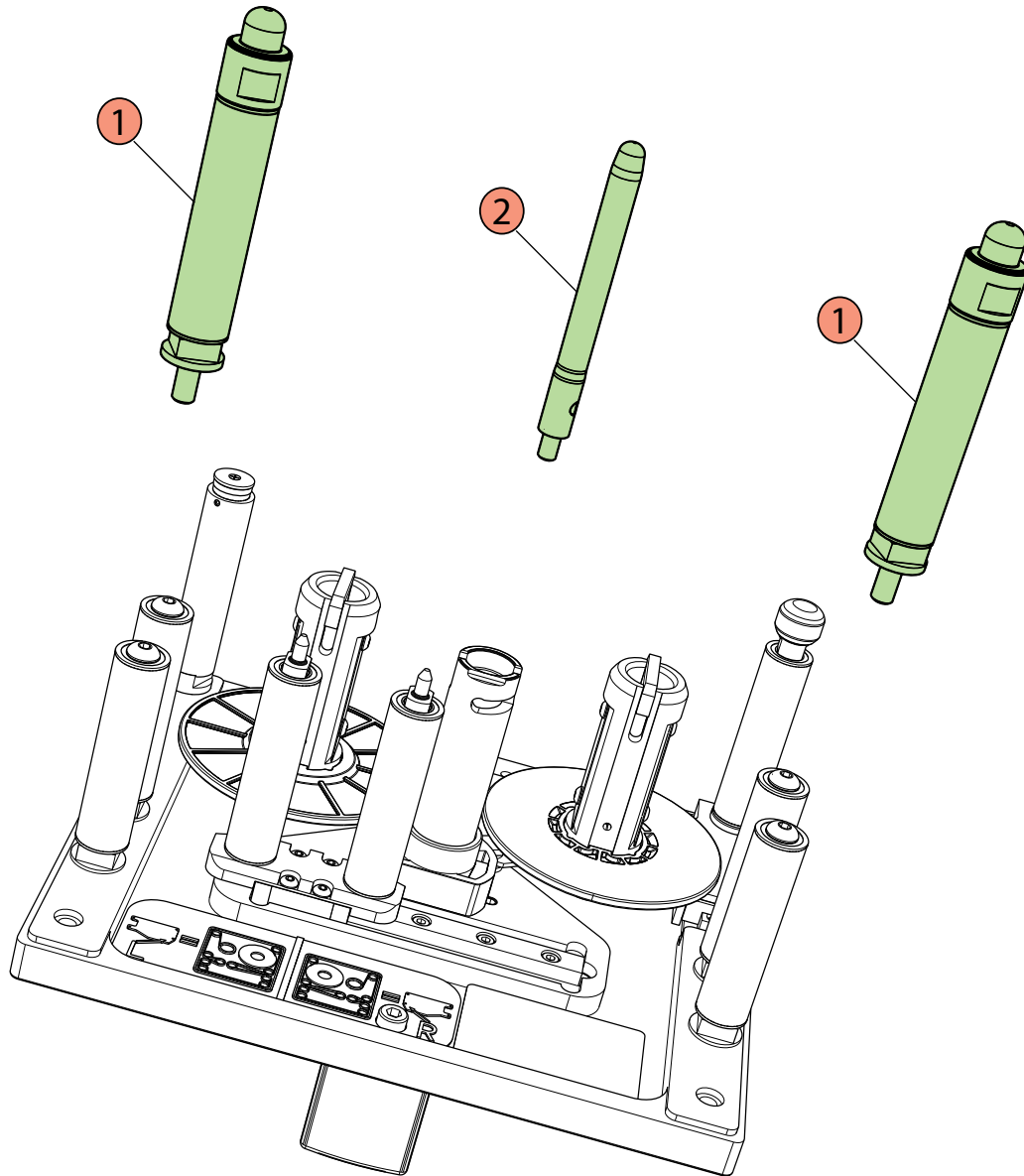
for parts & service call QLC (800) 837-1309

Shuttle Cassette Components

for parts & service call QLC (800) 837-1309

Shuttle Cassette Components

■ Locating Rollers & Pin

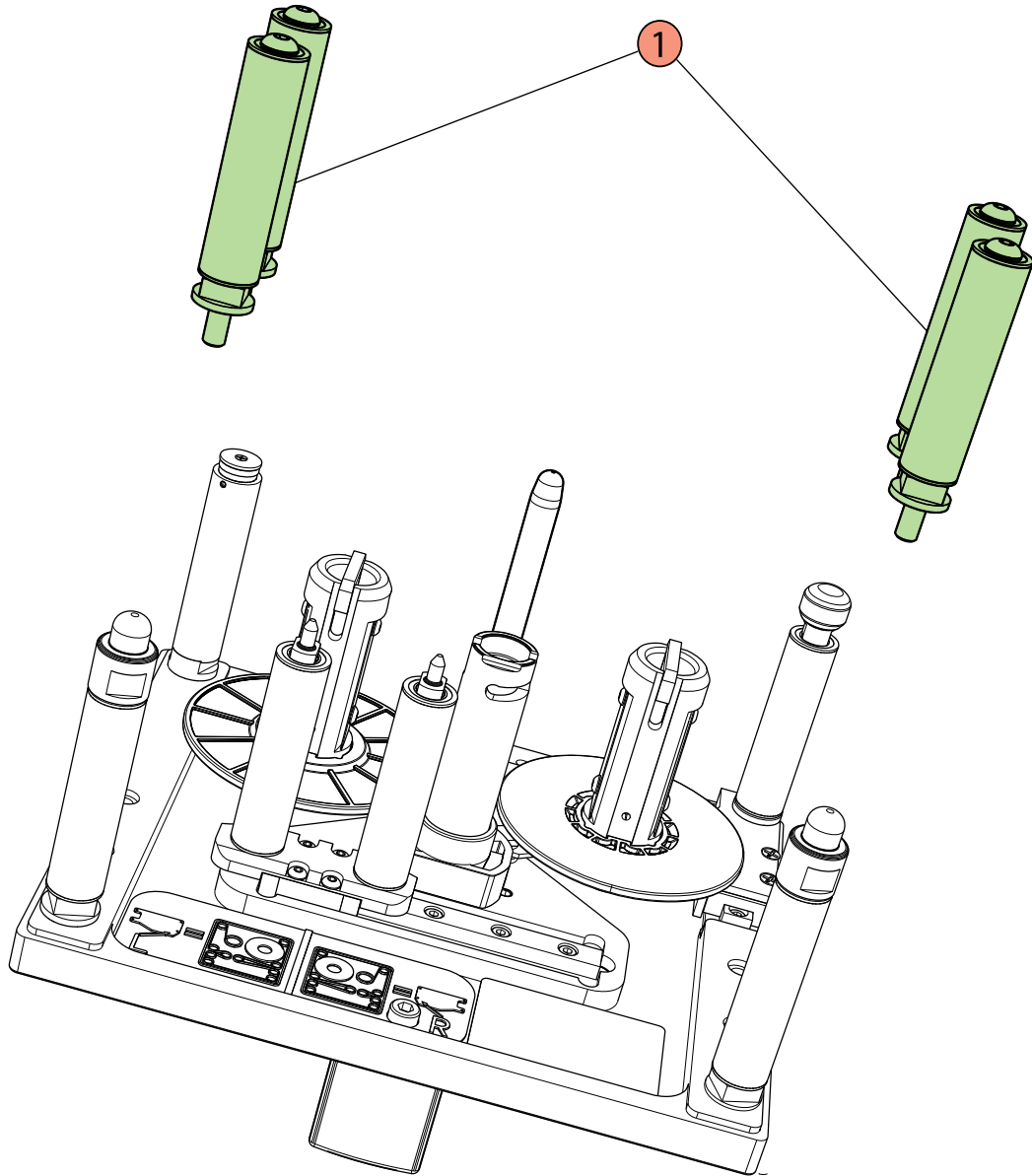


Item	Part number	Description
1	10029510	LOCATING ROLLER ASSEMBLY
2	ENM10062724	CASSETTE LOCATING PIN

for parts & service call QLC (800) 837-1309

Shuttle Cassette Components

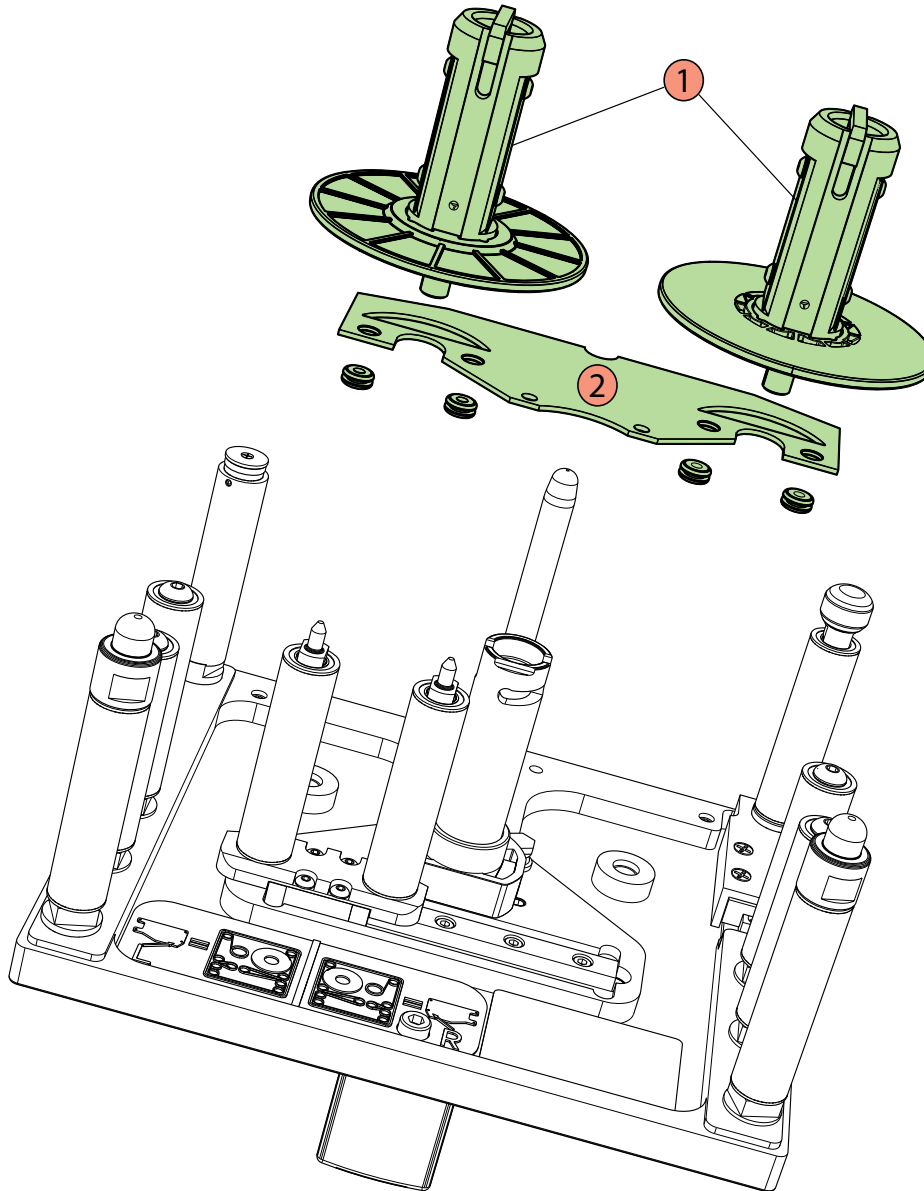
■ Movement Roller & Tension Roller



Item	Part number	Description
1	10031959	GUIDE ROLLERS ASSEMBLIES

for parts & service call QLC (800) 837-1309

■ Ribbon Supply & Rewind Assemblies

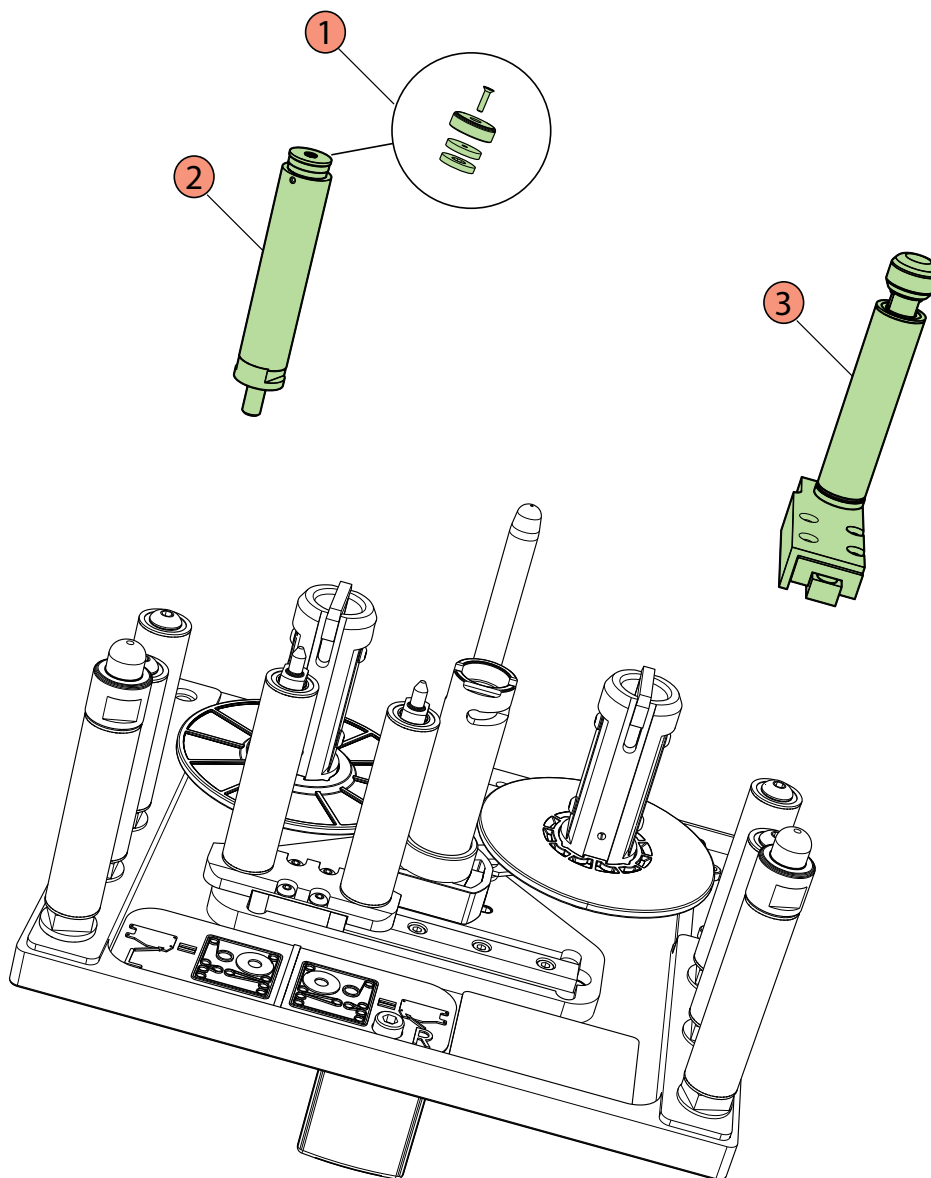


Item	Part number	Description
1	ENM10053306	RIBBON SUPPLY & REWIND ASSEMBLIES
2	ENM10023156	CASSETTE BRAKE PLATE ASSEMBLY

for parts & service call QLC (800) 837-1309

Shuttle Cassette Components

■ Movement Roller & Tension Roller

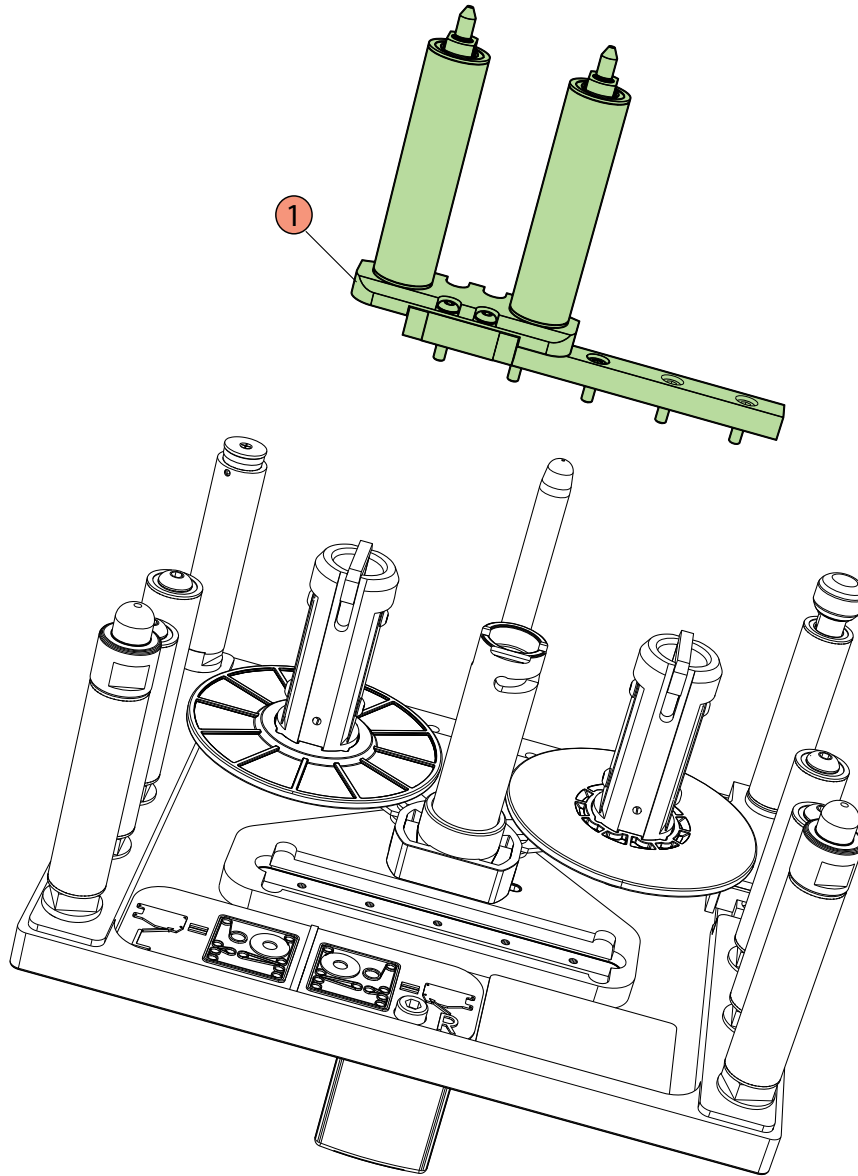


Item	Part number	Description
1	5825286	MOVEMENT ROLLER MAGNET KIT
2	10029512	MOVEMENT ROLLER ASSEMBLY
3	10029511	TENSION ROLLER & SLIDE KIT

for parts & service call QLC (800) 837-1309

Shuttle Cassette Components

■ Shuttle Assembly

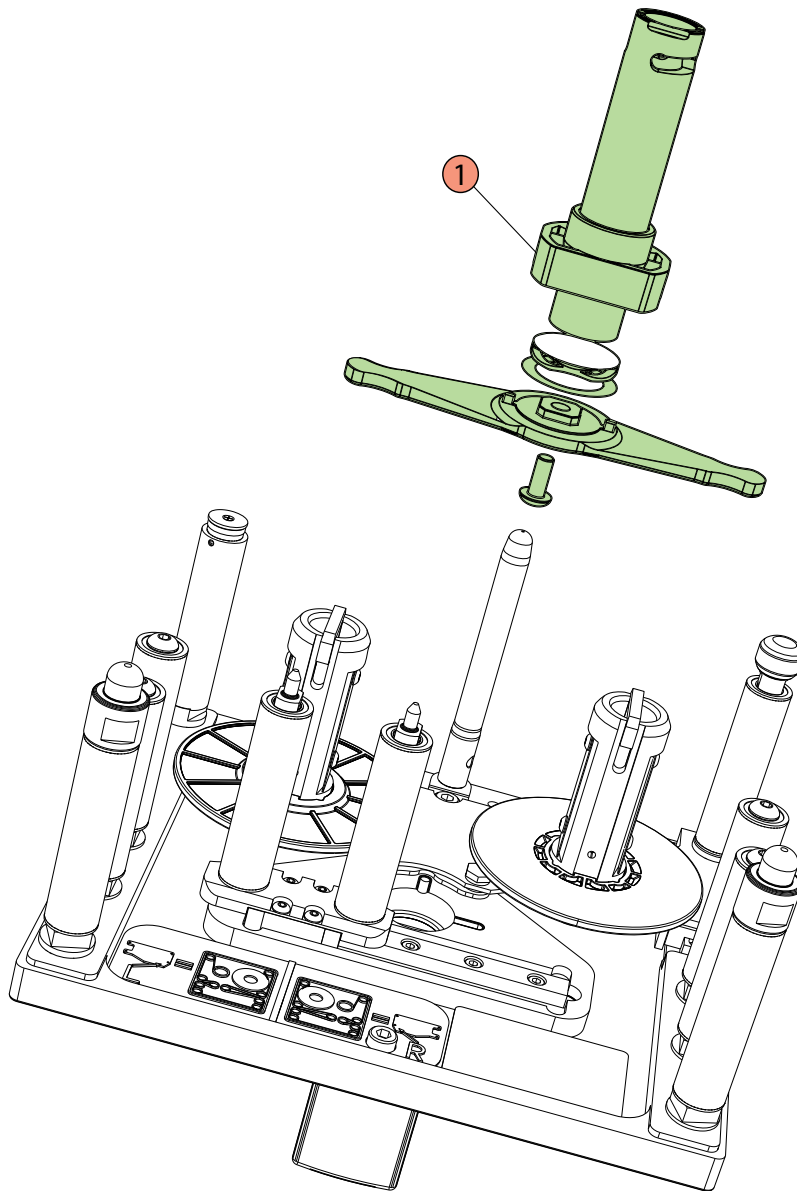


Item	Part number	Description
1	5825288	SHUTTLE ASSEMBLY

for parts & service call QLC (800) 837-1309

Shuttle Cassette Components

■ Latch Tube Assembly



Item	Part number	Description
1	ENM10055580	LATCH TUBE ASSEMBLY KIT

for parts & service call QLC (800) 837-1309

128mm Printer Components

for parts & service call QLC (800) 837-1309



markem•imaje

A DOVER COMPANY

128mm printer components

for parts & service call QLC (800) 837-1309

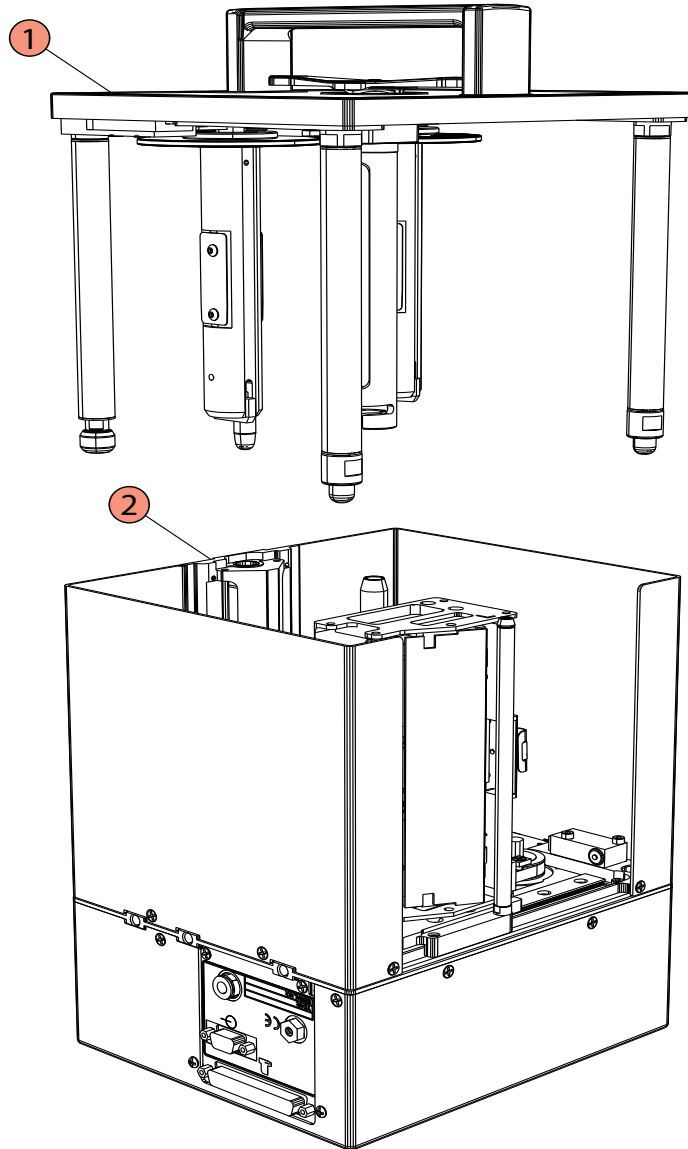


markem·imaje

A DOVER COMPANY

128mm printer components

■ 128mm Printer and Cassette Left Hand

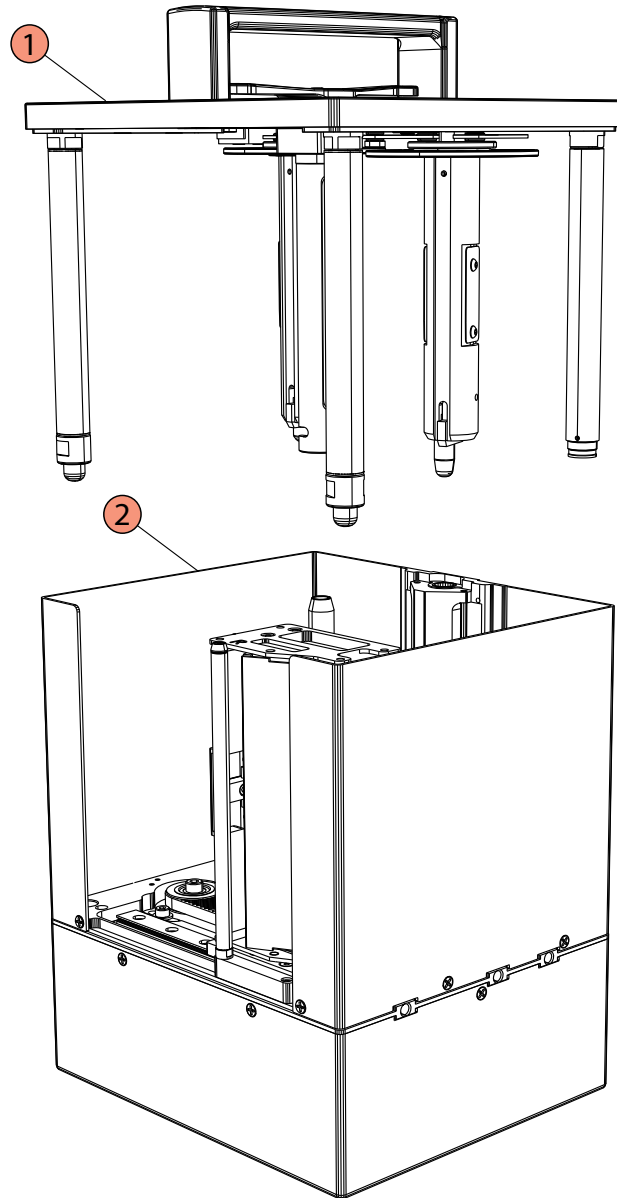


Item	Part number	Description
1	ENM10068401	PRINTER BODY ASSEMBLY LEFT HAND
2	ENM10068403	CASSETTE ASSEMBLY LEFT HAND

for parts & service call QLC (800) 837-1309

128mm printer components

■ 128mm Printer and Cassette Right Hand

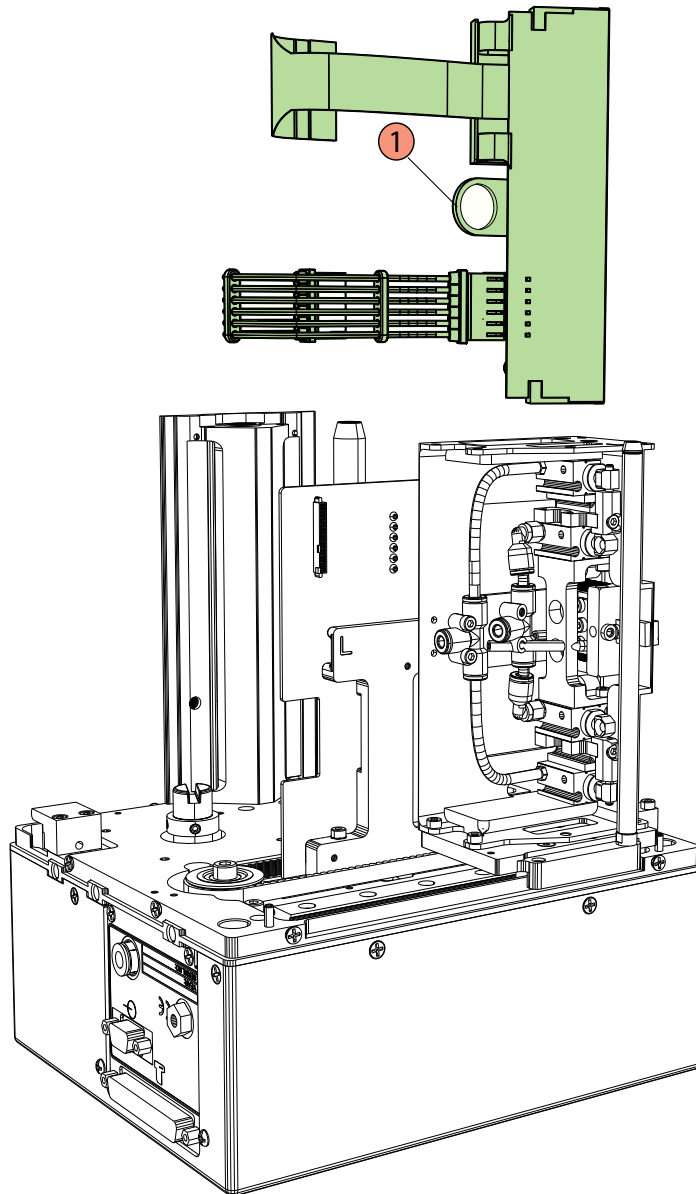


Item	Part number	Description
1	ENM10068402	PRINTER BODY ASSEMBLY RIGHT HAND
2	ENM10068404	CASSETTE ASSEMBLY RIGHT HAND

for parts & service call QLC (800) 837-1309

128mm printer components

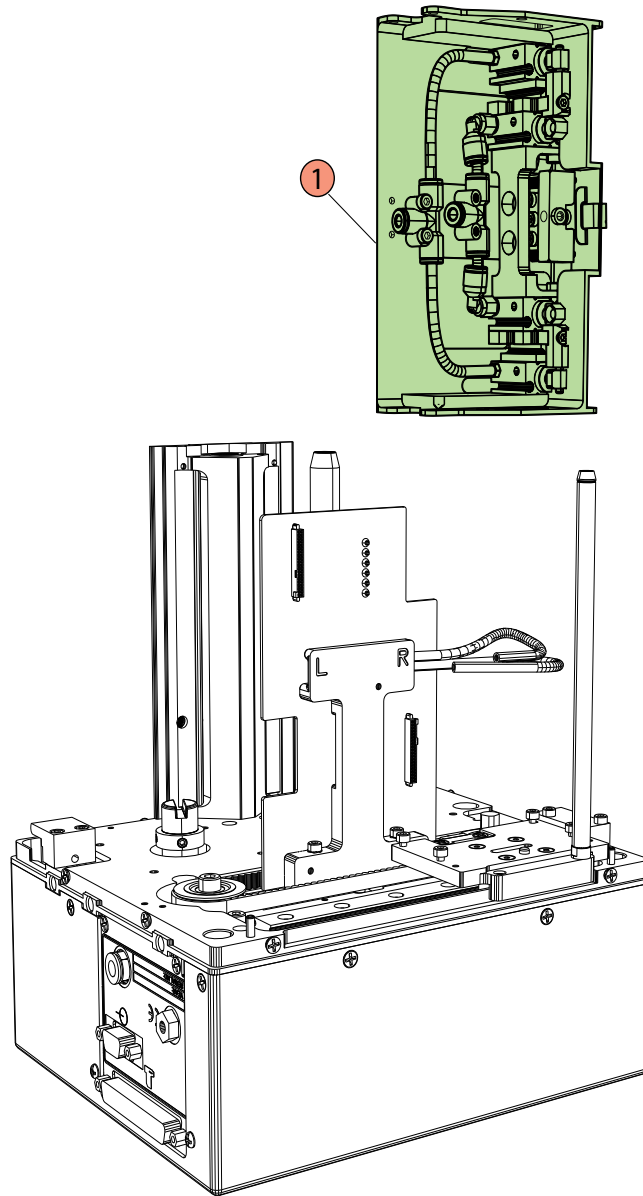
■ 128mm Printhead Assembly



Item No.	Part number	Description
1	ENM10068332	128mm PRINTHEAD ASSEMBLY

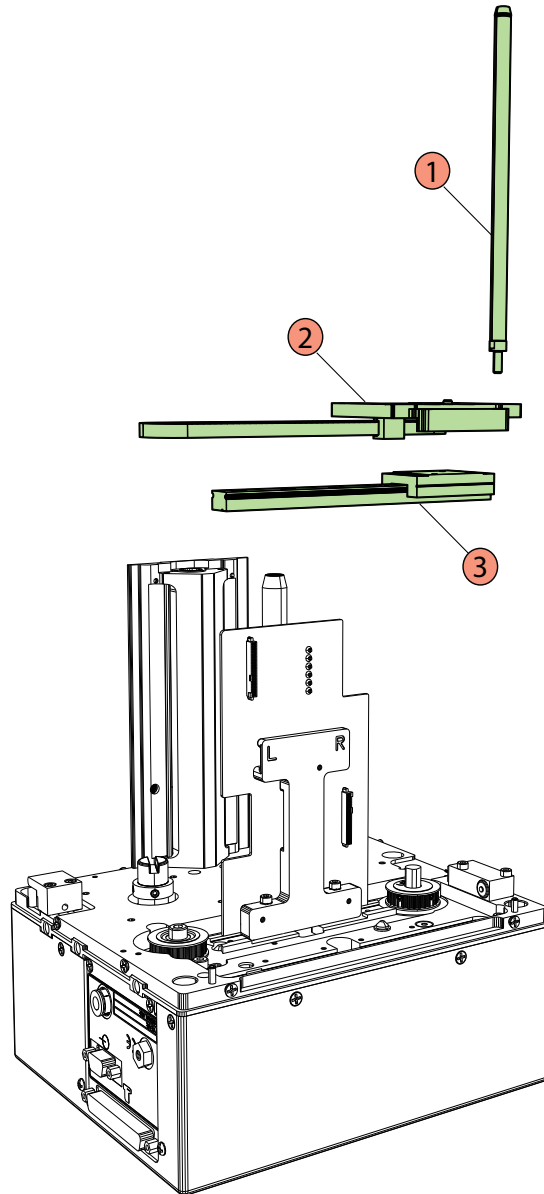
128mm printer components

■ Print Module Assembly



Item No.	Part number	Description
1	10029216	PRINT MODULE ASSEMBLY

■ Peel Roller, Mounting Assembly & Carriage

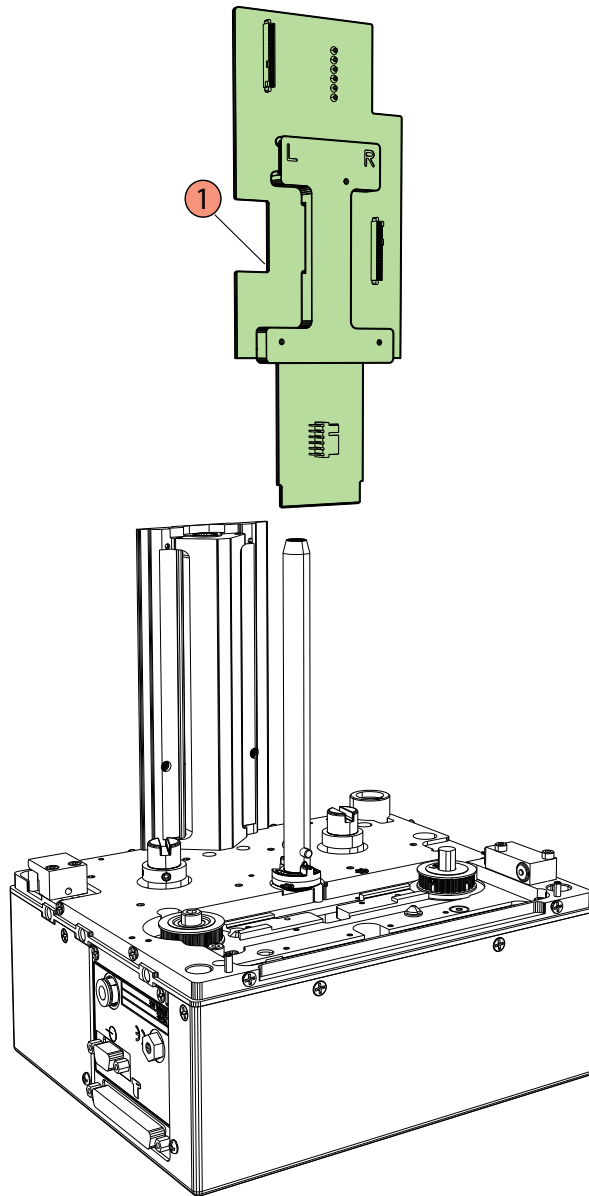


Item No.	Part number	Description
1	EN10029211	PEEL ROLLER ASSEMBLY
2	ENM10026503	PRINthead MODULE MOUNTING ASSEMBLY
3	5210986	GUIDE RAIL AND CARRIAGE ASSEMBLY

for parts & service call QLC (800) 837-1309

128mm printer components

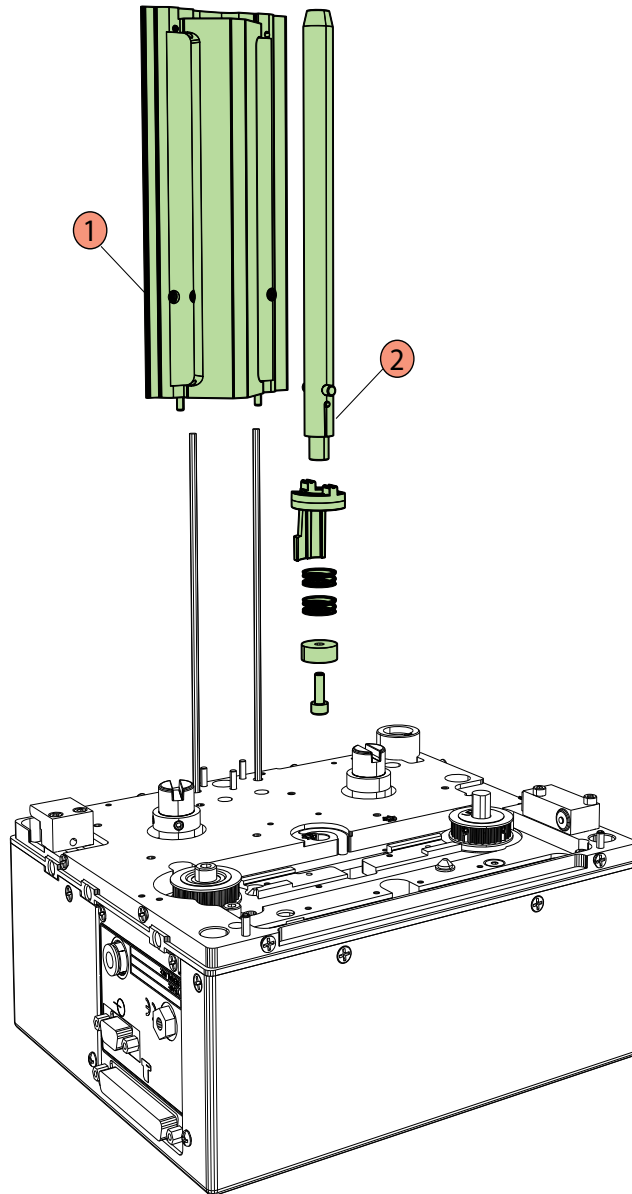
■ Interconnect Board Assembly



Item No.	Part number	Description
1	10051025	INTERCONNECT BOARD ASSEMBLY

for parts & service call QLC (800) 837-1309

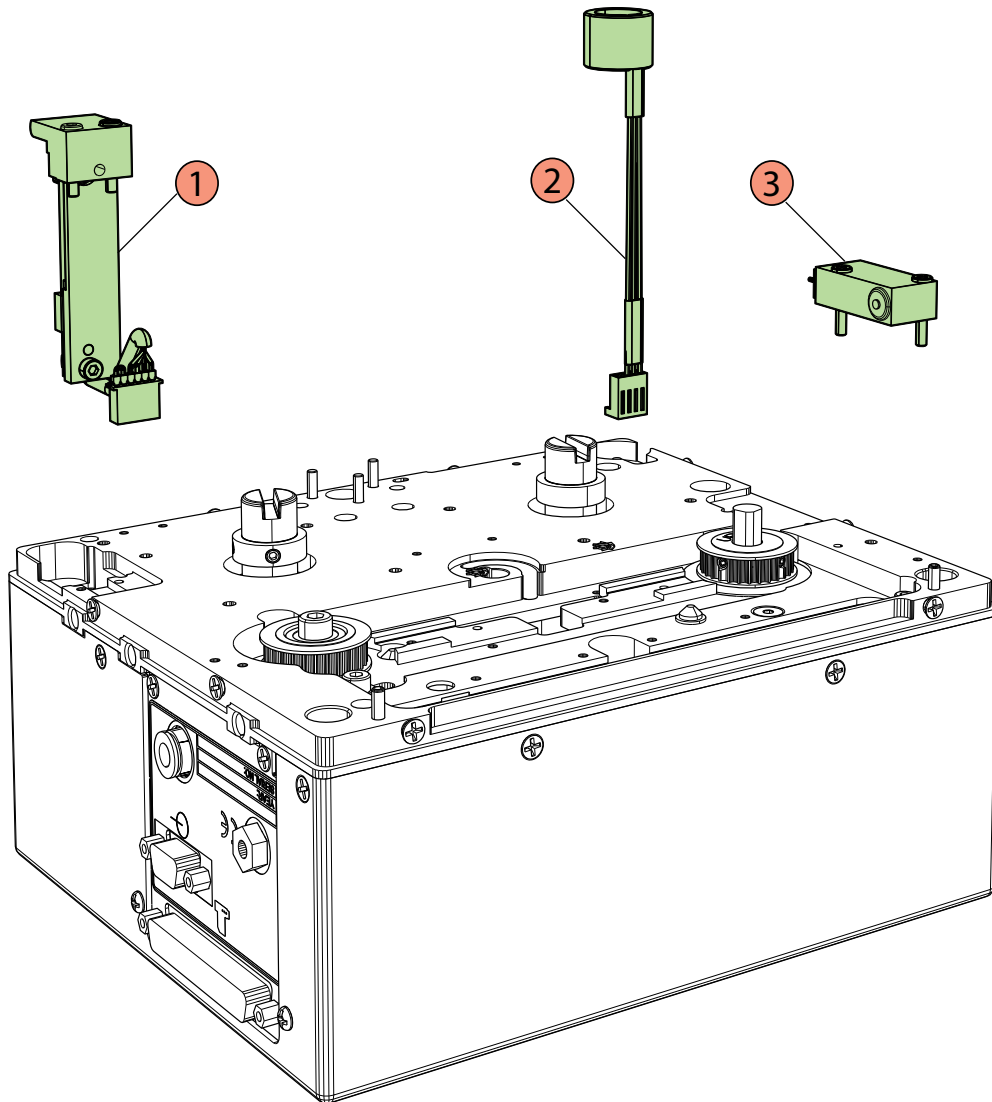
■ Latch Shaft & Mounting Bracket Assembly



Item No.	Part number	Description
1	ENM10029263	MOUNTING BRACKET ASSEMBLY
2	ENM10055585	PRINTER LATCH SHAFT ASSEMBLY

128mm printer components

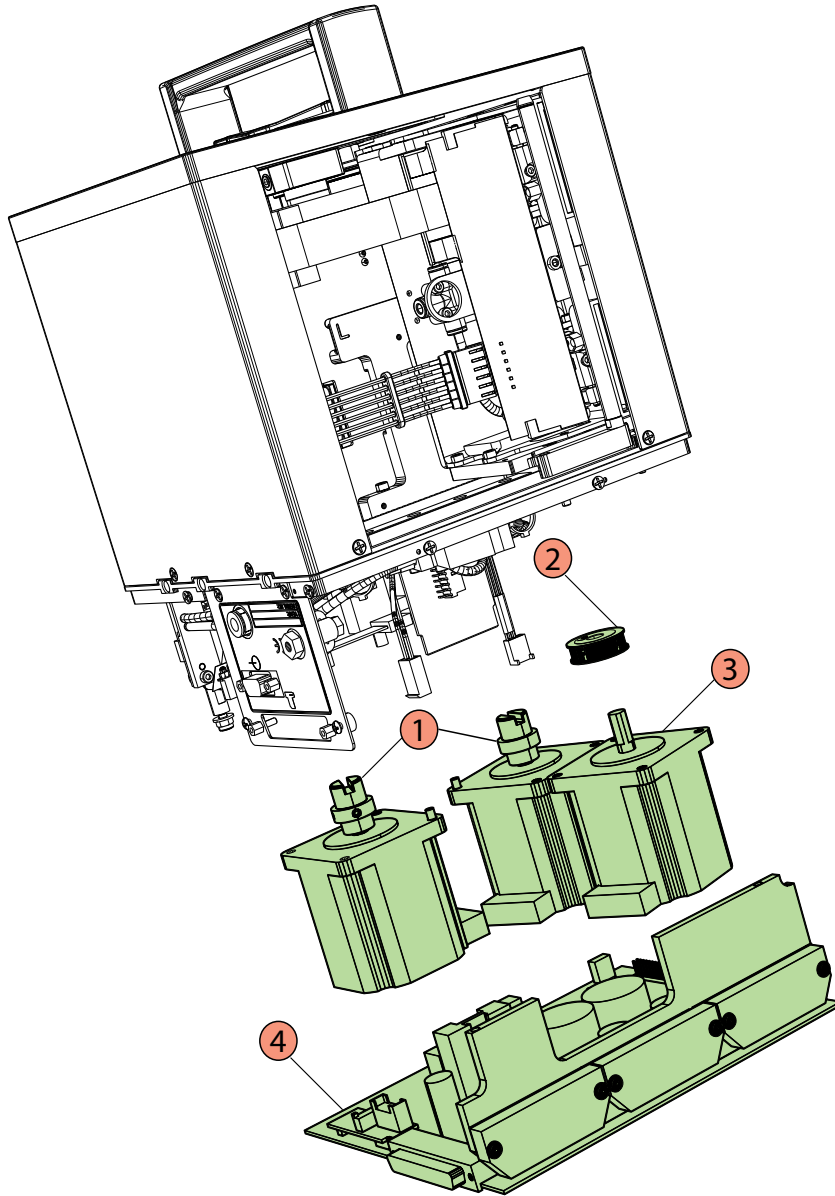
■ Ribbon Controller & Movement Sensor.



Item No.	Part number	Description
1	ENM10058633	S100 TENSION SENSOR ASSEMBLY (RoHS)
2	5825031	RIBBON MOVEMENT SENSOR ASSEMBLY
3	5825050	PIN PLUNGER MICROSWITCH

for parts & service call QLC (800) 837-1309

■ Stepper Motors

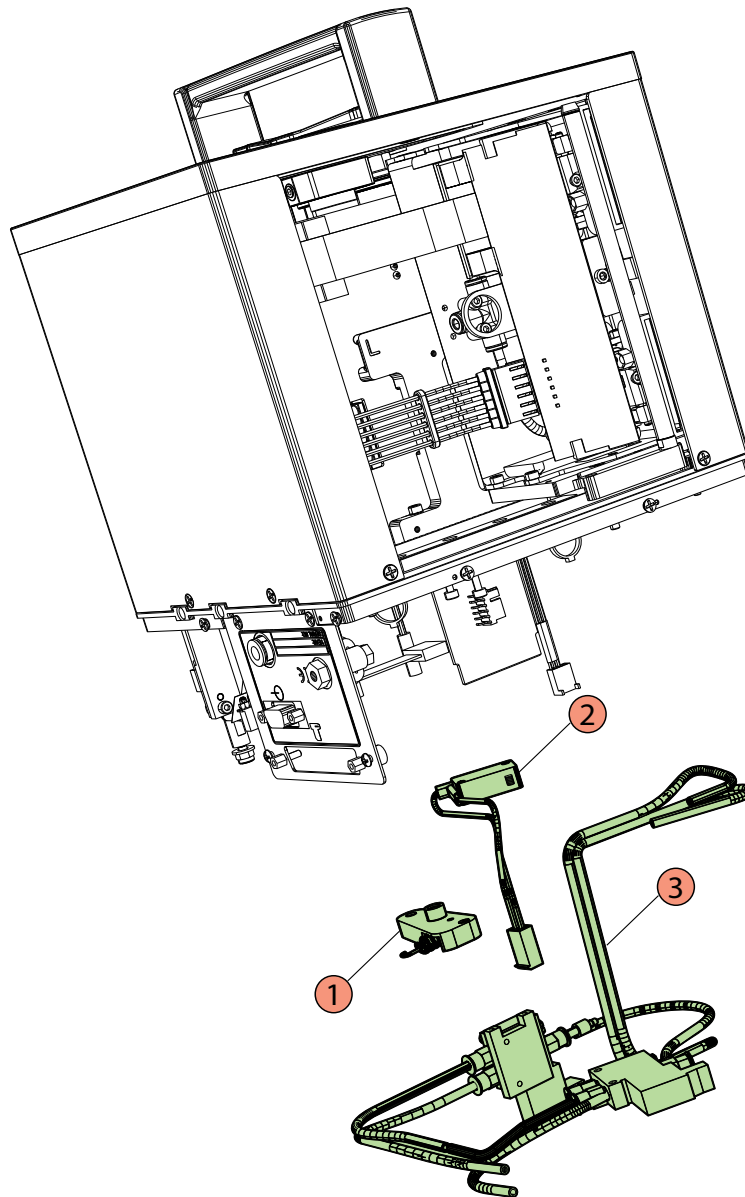


Item No.	Part number	Description
1	ENM10055581	RIBBON MOTOR AND CABLE SPARES KIT
2	5825249	IDLER PULLEY ASSEMBLY
3	ENM10055582	BELT DRIVE MOTOR AND CABLE SPARES KIT
4	ENM10062499	PRINTER BOARD ASSEMBLY

for parts & service call QLC (800) 837-1309

128mm printer components

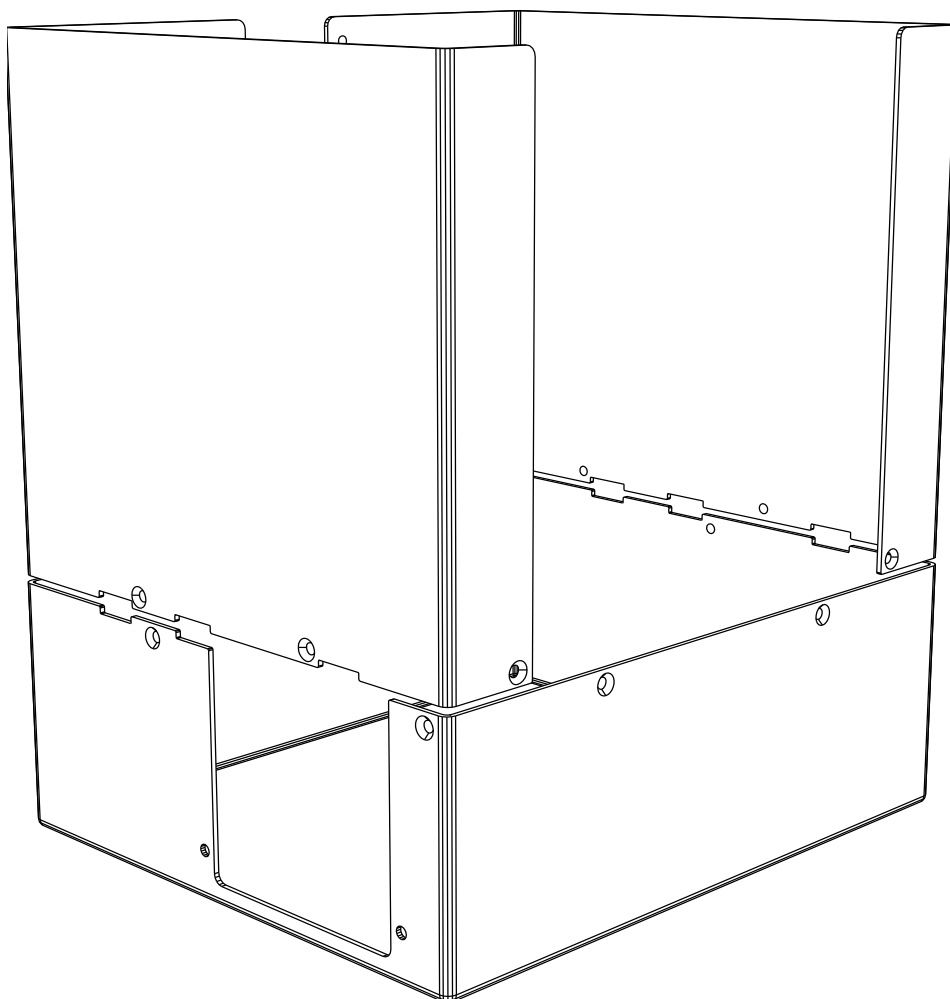
Pneumatics & Printer PCB



Item No.	Part number	Description
1	10036435	SEMI AUTOMATIC BELT TENSIONER
2	10047991	CASSETTE SWITCH
3	ENM10055587	PNEUMATICS KIT

for parts & service call QLC (800) 837-1309

128mm Printer Covers



Item No.	Part number	Description
1	ENM10055586	128mm PRINTER COVERS SPARES KIT

128mm printer components

for parts & service call QLC (800) 837-1309



markem·imaje

A DOVER COMPANY

128mm Cassette Components

for parts & service call QLC (800) 837-1309



markem·image

A DOVER COMPANY

128mm Cassette Components

for parts & service call QLC (800) 837-1309

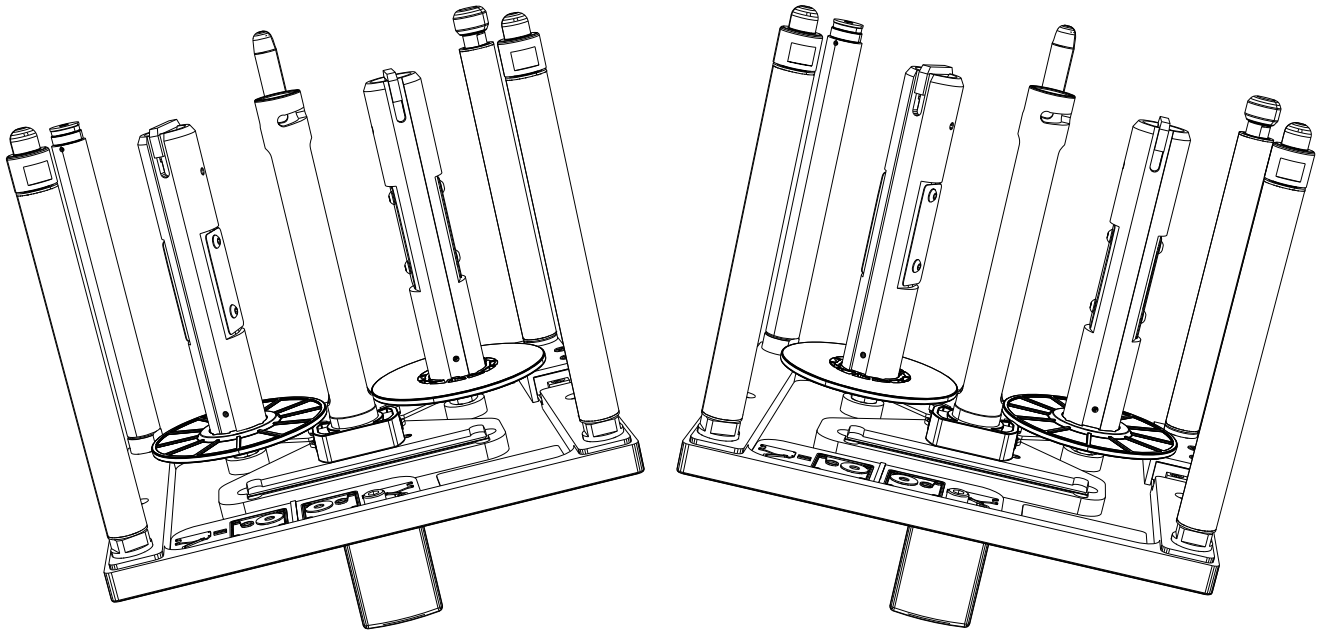


markem·imaje

A DOVER COMPANY

128mm Cassette Components

■ 128mm Printer Cassettes

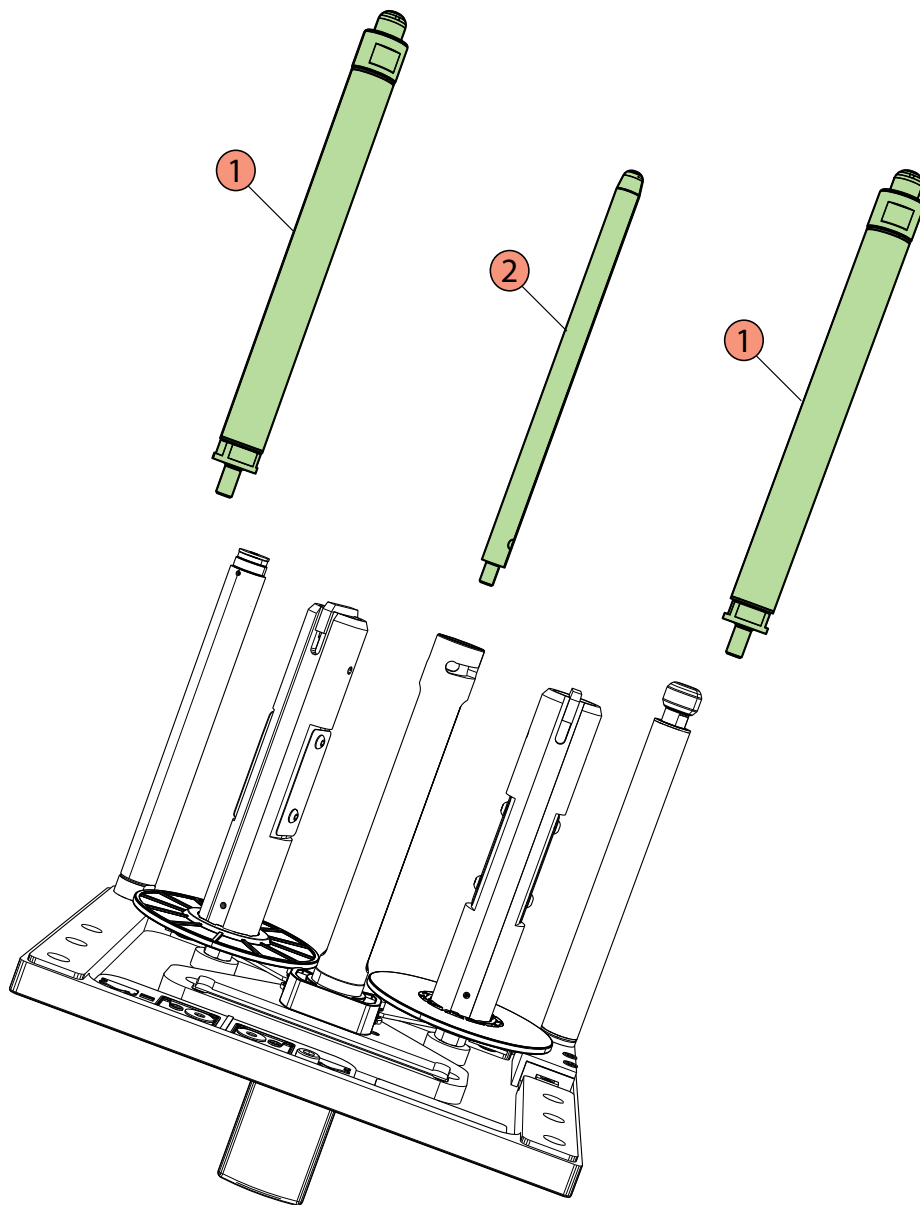


Part number	Description	Part number	Description
10068403	LEFT HAND CASSETTE	10068404	RIGHT HAND CASSETTE

for parts & service call QLC (800) 837-1309

128mm Cassette Components

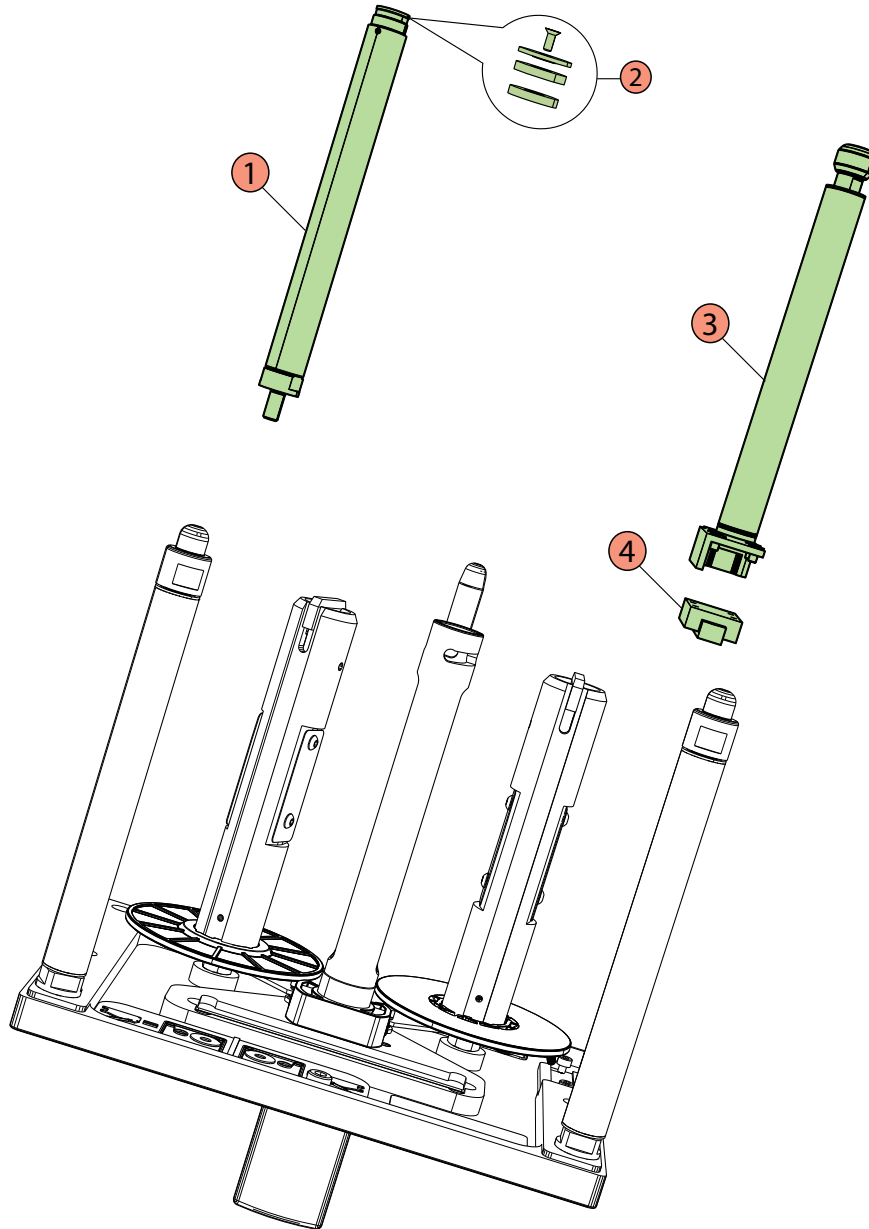
■ Location Shaft and Guide Rollers



Item	Part number	Description
1	10029281	LOCATING GUIDE ROLLERS
2	ENM10029270	CASSETTE LOCATING SHAFT

for parts & service call QLC (800) 837-1309

■ Ribbon Rollers and Cassette Latch

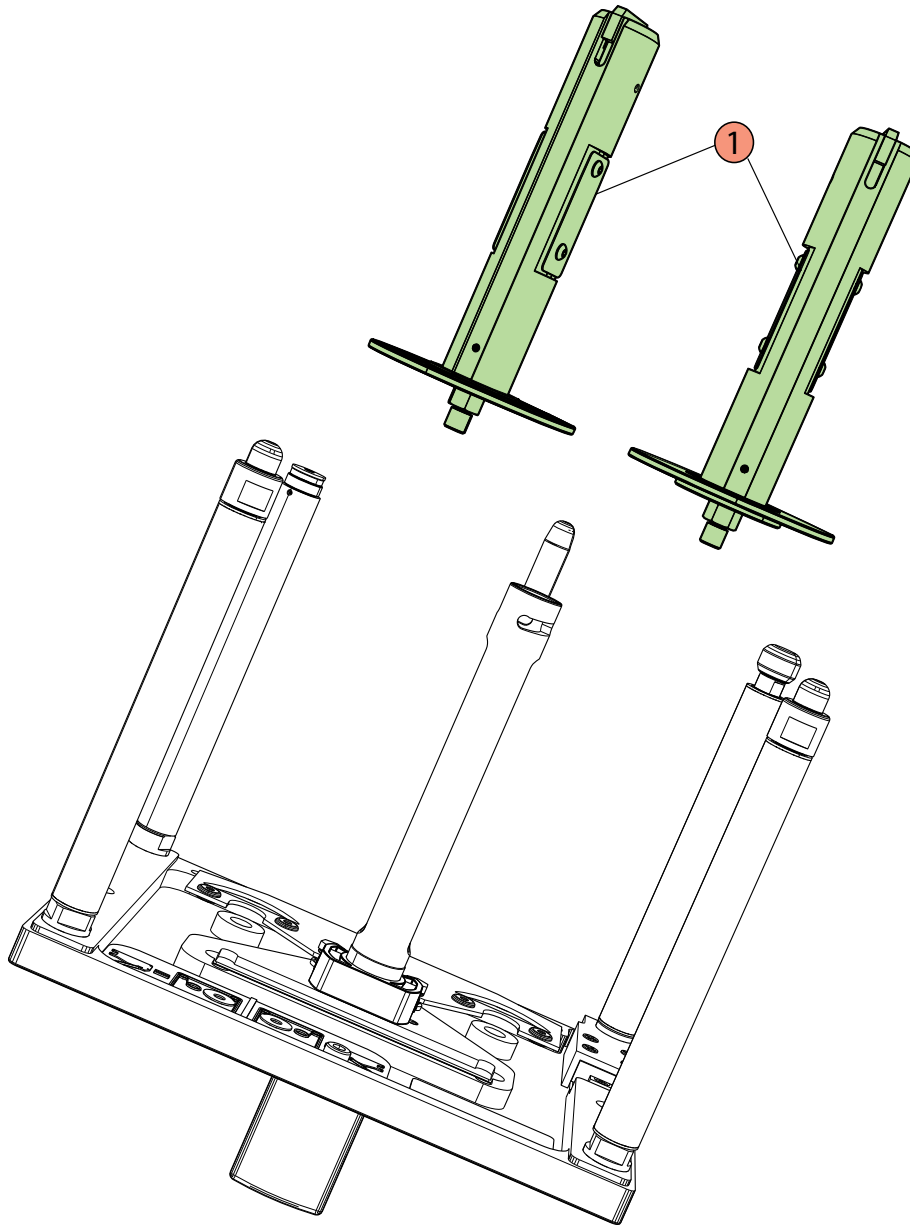


Item	Part number	Description
1	ENM10047752	RIBBON MOVEMENT ROLLER ASSEMBLY
2	10055301	MOVEMENT ROLLER MAGNET KIT
3	ENM10028300	TENSION SENSOR ASSEMBLY
4	5210989	LINEAR GUIDE RAIL AND CARRIAGE ASSEMBLY

for parts & service call QLC (800) 837-1309

128mm Cassette Components

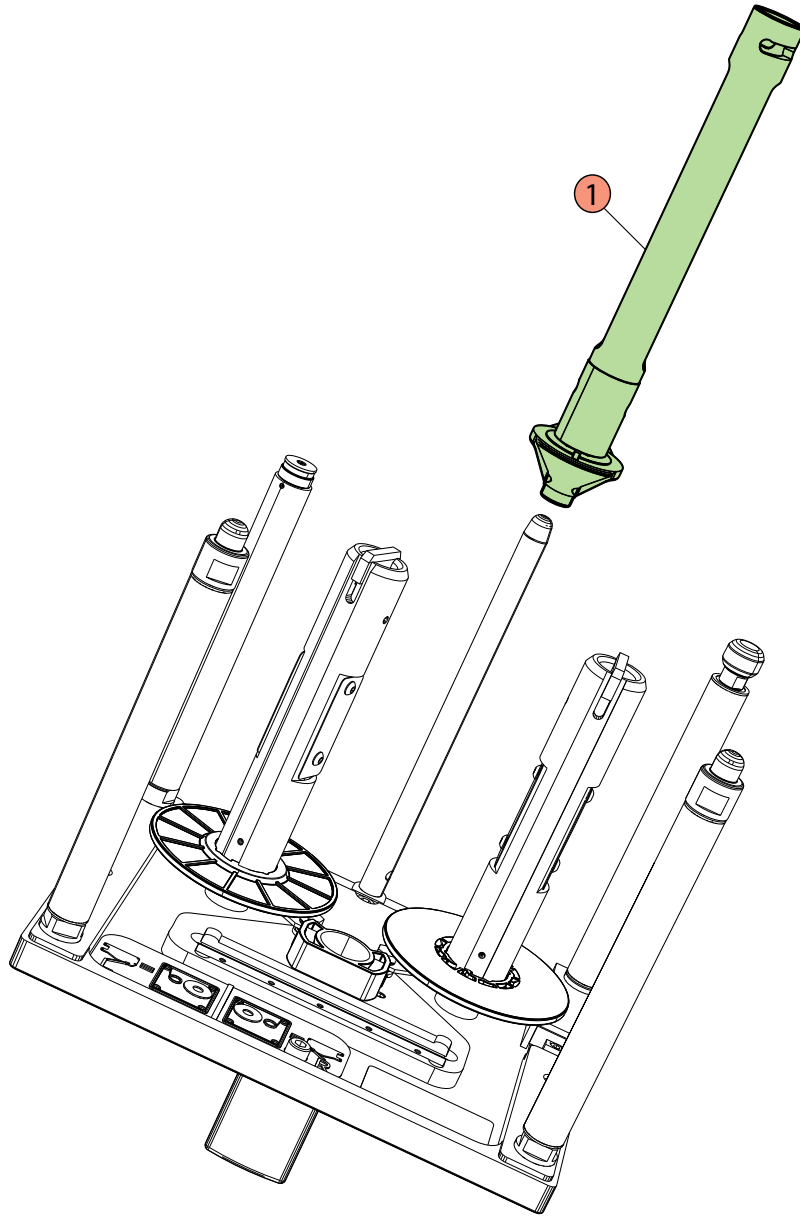
■ Ribbon Supply and Rewind Assemblies



Item	Part number	Description
1	ENM10056008	SUPPLY AND TAKE UP REEL ASSEMBLY

for parts & service call QLC (800) 837-1309

■ Latch Shaft Assembly



Item	Part number	Description
1	ENM10055588	LATCH SHAFT ASSEMBLY

128mm Cassette Components

for parts & service call QLC (800) 837-1309



markem·imaje

A DOVER COMPANY

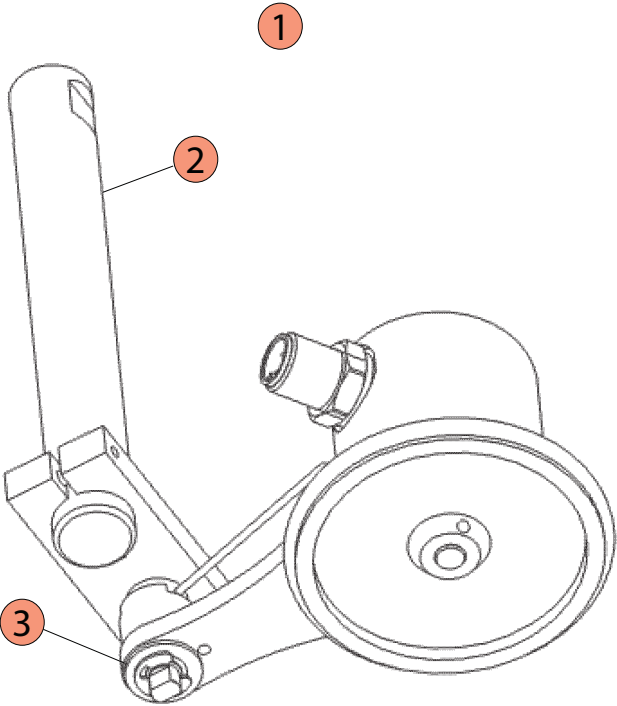
Accessories

for parts & service call QLC (800) 837-1309

Accessories

for parts & service call QLC (800) 837-1309

■ Platform Encoder

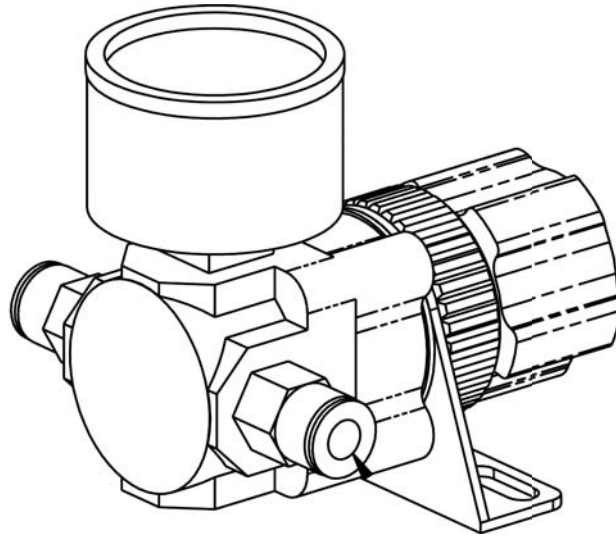


Item	Part number	Description
1	A41431	ENCODER ASSEMBLY X40 SD5
2	A41370	ENCODER_CONFIGURABLE Ø40 SHAFT 6mm_M12-8
3	A41410	ENCODER ROLLING KIT ARM TENSION CONTROL
	A41382	ENCODER CABLE X40 SD5_2m M128-8 SUBD9:

for parts & service call QLC (800) 837-1309

Accessories

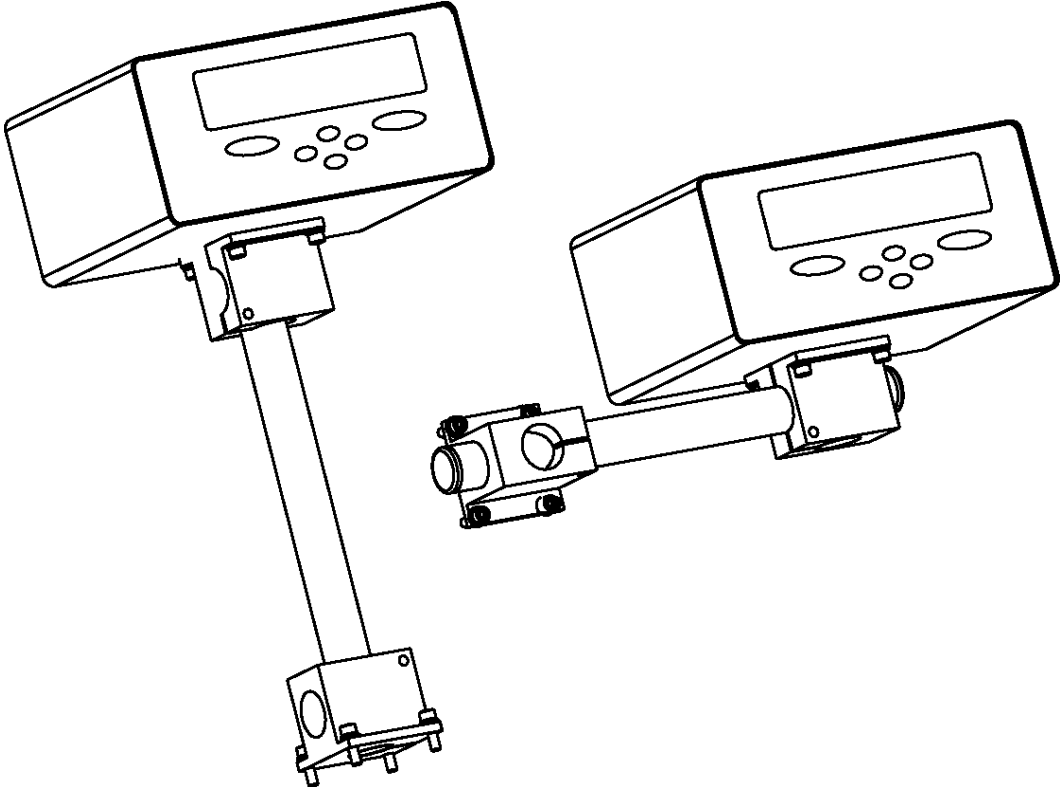
■ Air Regulator



Part number	Description
5825000	AIR REGULATOR

for parts & service call QLC (800) 837-1309

■ Controller Mounting Kit

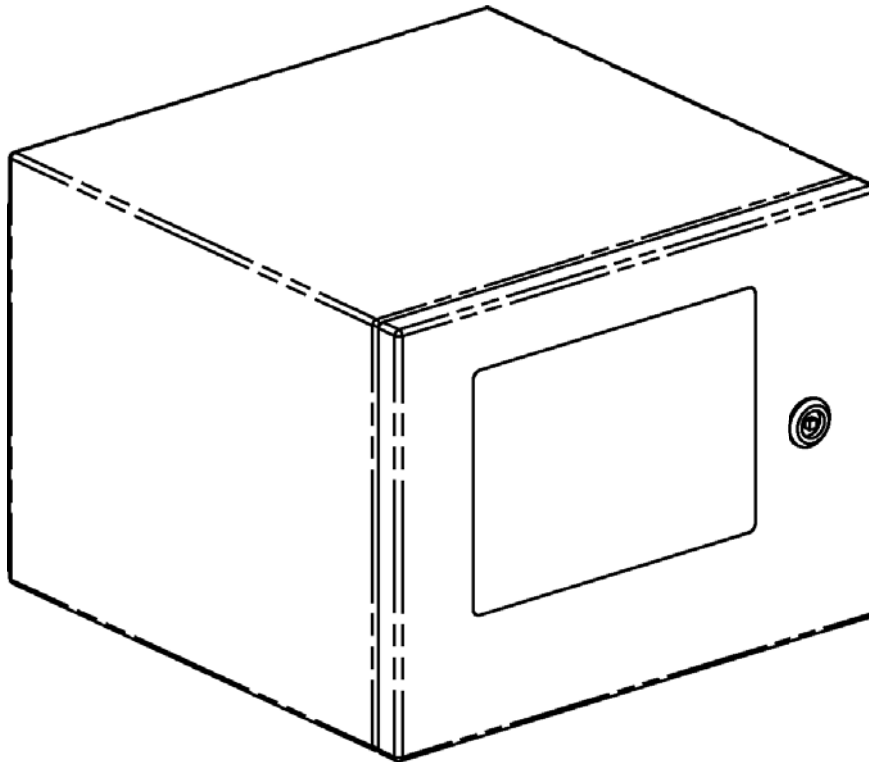


Part number	Description
5824332	UNIVERSAL CONTROL BOX MOUNTING KIT

for parts & service call QLC (800) 837-1309

Accessories

■ IP 65 Enclosure



Part number	Description
10036165	IP65 ENCLOSURE

for parts & service call QLC (800) 837-1309

SmartDate X60 Catalogue

Instructions update

- The revision AA index corresponds to the first edition of this manual.
- The revision index changes with each update.

Date published	Revision index documentation
10/2010	AA
10/2013	AB
06/2014	AC

For Marking & Coding Equipment. Photographs and drawings are not binding in detail. This document was originally written in English. The English text of this document shall alone be authentic and shall prevail in the event of a dispute. Markem-Imaje reserves the right to modify the specifications of its products without prior notice. Any reproduction, even partial, of this document is prohibited.

© 2014 Markem-Imaje All Rights Reserved. English version

for parts & service call QLC (800) 837-1309



for parts & service call QLC (800) 837-1309